

This catalog covers:
TH048D-□C50

This fig. covers:
TITLE

PARTS CATALOG

2-STROKE ENGINE

TH048D

PRODUCT CODE	NOTE
TH048D-AC50	BRUSH-CUTTER (VS441)
TH048D-BC50	
TH048D-CC50	
TH048D-DC50	

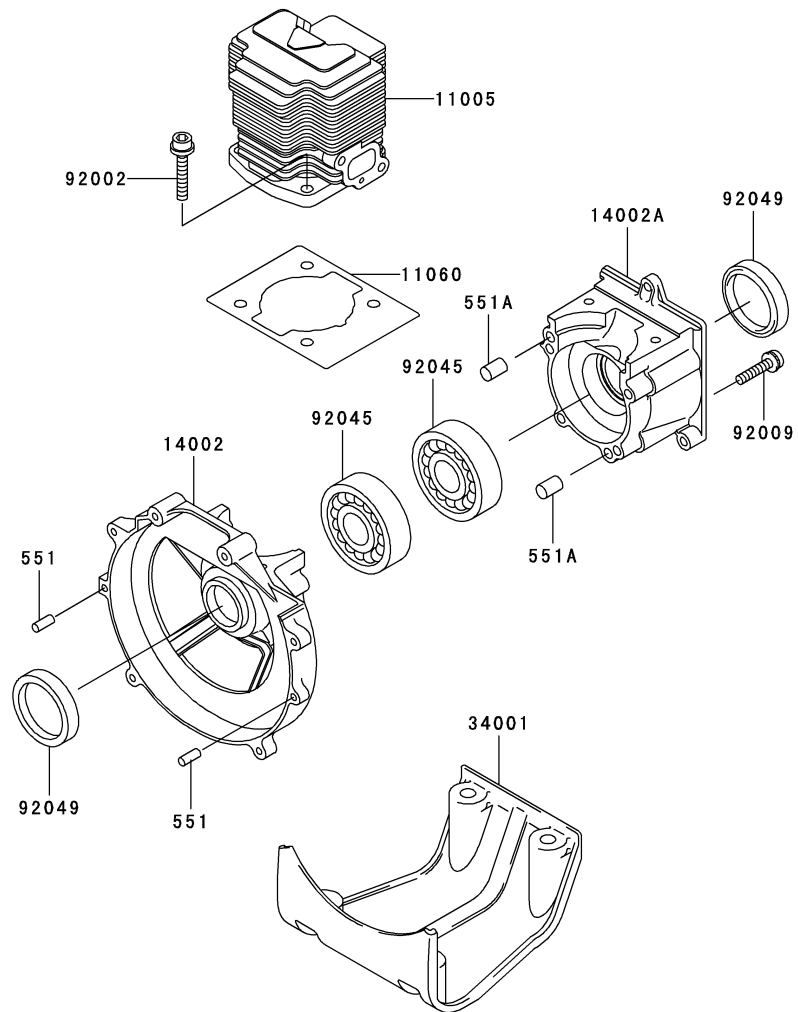
This catalog covers:

TH048D- □ C50

This fig. covers:

01 CYLINDER/CRANKCASE

E0110-A060A



Ref. No.	Part No.	Description	Quantity			
			A	B	C	D
11005	11005-2123	CYLINDER-ENGINE	1	1	1	1
11060	11060-2296	GASKET,CYLINDER	1	1	1	1
14002	14002-2316	CRANKCASE	1	1	1	1
14002A	14002-2317	CRANKCASE	1	1	1	1
34001	34001-2082	STAND	1	1	1	1
92002	92002-2150	BOLT	4	4	4	4
92009	92009-2115	SCREW	4	4	4	4
92045	92045-2005	BEARING-BALL,6202C3	2	2	2	2
92049	92049-2206	SEAL-OIL	2	2	2	2
551	551A0410	PIN-DOWEL	2	2	2	2
551A	551A0610	PIN-DOWEL	2	2	2	2

This catalog covers:

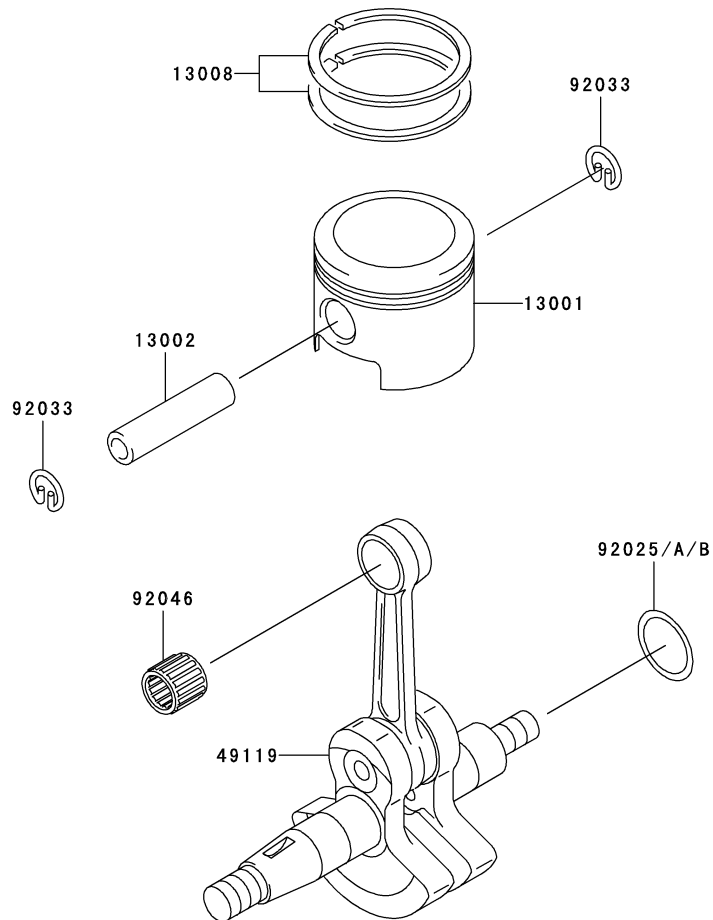
TH048D- □ C50

02

This fig. covers:

PISTON/CRANKSHAFT

E0120-A054A



Ref. No.	Part No.	Description	Quantity			
			A	B	C	D
13001	13001-2141	PISTON-ENGINE	1	1	1	1
13002	13002-2067	PIN-PISTON	1	1	1	1
13008	13008-6044	RING-SET-PISTON	1	1	1	1
49119	49119-2173	CRANKSHAFT-ASSY	1	1	1	1
92025	92025-2135	SHIM,T=0.20	AR	AR	AR	AR
92025A	92025-2136	SHIM,T=0.40	AR	AR	AR	AR
92025B	92025-2137	SHIM,T=0.60	AR	AR	AR	AR
92033	92033-2058	RING-SNAP	2	2	2	2
92046	13033-2005	BEARING-NEEDLE	1	1	1	1

This catalog covers:

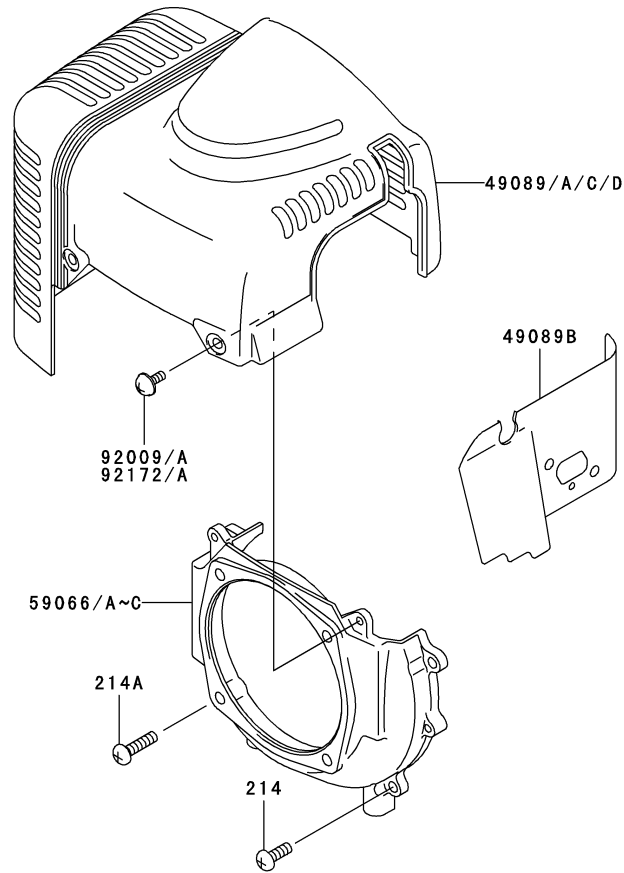
TH048D- □ C50

03

This fig. covers:

COOLING-EQUIPMENT

E0150-A334J



Ref. No.	Part No.	Description	Quantity			
			A	B	C	D
49089	49089-2385	SHROUD-ENGINE	1	1	*	
49089A	49089-2385	SHROUD-ENGINE				
	(-				
	TH048-123604)					
49089B	49089-2386	SHROUD-ENGINE	1	1	1	1
49089C	49089-2553	SHROUD-ENGINE				1
49089D	49089-2553	SHROUD-ENGINE			1	
	(TH048-123605 -				
)					
59066	59066-2651	HOUSING-FAN	1		*	
59066A	59066-2651	HOUSING-FAN		1	*	
	(-				
	TH048-005496)					
59066B	59066-2747	HOUSING-FAN				1
59066C	59066-2747	HOUSING-FAN			1	
	(TH048-005497 -				
)					
92009	92009-2234	SCREW,4X10	2	2		
92009A	92009-2234	SCREW,4X10			*	
92172	92172-2060	SCREW,4X10				2
92172A	92172-2060	SCREW,4X10				
214	214B0514	SCREW-PAN+-	3	3	3	3
214A	214B0520	SCREW-PAN+-	1	1	1	1

This catalog covers:

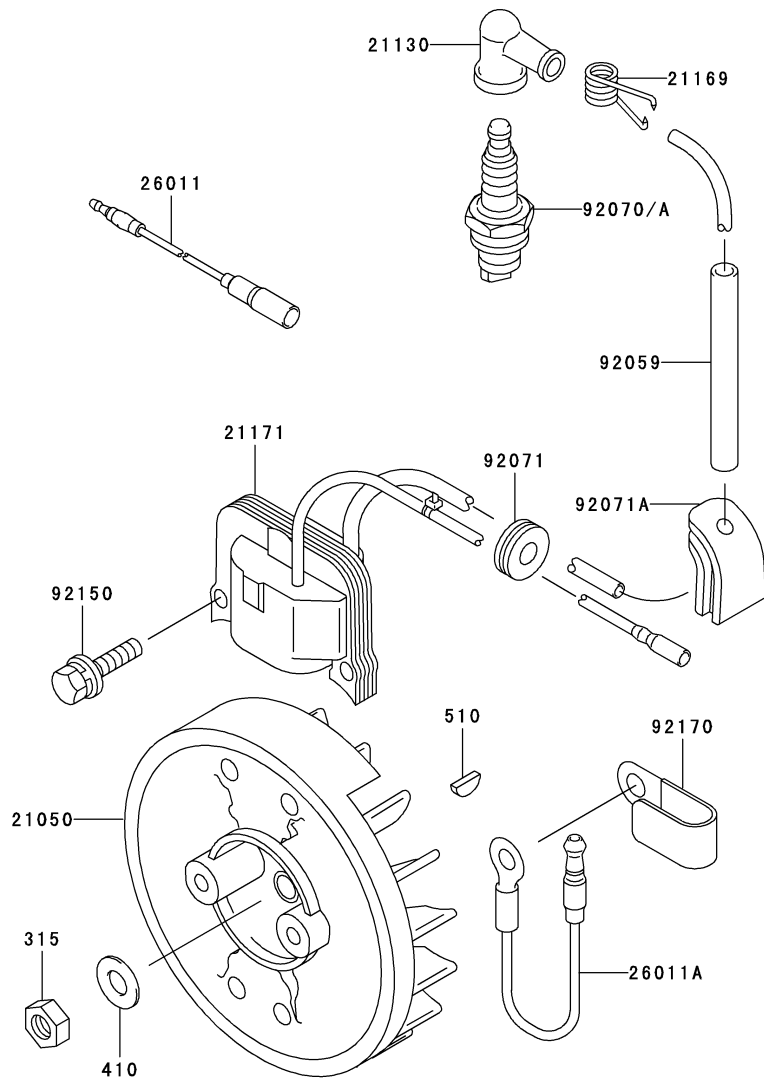
TH048D- □ C50

04

This fig. covers:

ELECTRIC-EQUIPMENT

E0160-A179B



Ref. No.	Part No.	Description	Quantity			
			A	B	C	D
21050	21050-2240	FLYWHEEL	1	1	1	1
21130	21130-2056	CAP-SPARK PLUG	1	1	1	1
21169	21169-2051	TERMINAL	1	1	1	1
21171	21171-2195	COIL-ASSY-IGNITION	1	1	1	1
26011	26011-2023	WIRE-LEAD	1	1	1	1
26011A	26011-2300	WIRE-LEAD	1	1	1	1
92059	92059-2103	TUBE,6X7.4X108	1	1	1	1
92070	92070-2051	PLUG-SPARK,BM6A(NGK),SOLID	1			
92070A	92070-2060	PLUG-SPARK,BMR6A(NGK),SOLID		1	1	1
92071	92071-2097	GROMMET	1	1	1	1
92071A	92071-2143	GROMMET,IGNITION COIL	1	1	1	1
92150	92150-2182	BOLT,5X18	2	2	2	2
92170	92170-2041	CLAMP	1	1	1	1
315	315B1000	NUT-HEX-FINE	1	1	1	1
410	410B1000	W-PLAIN-S	1	1	1	1
510	510A3100	KEY-WOODRUFF	1	1	1	1

This catalog covers:

TH048D- □ C50

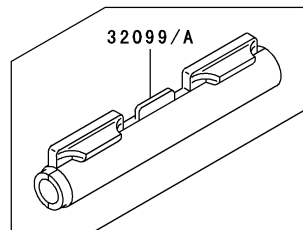
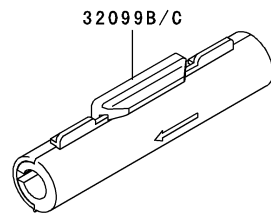
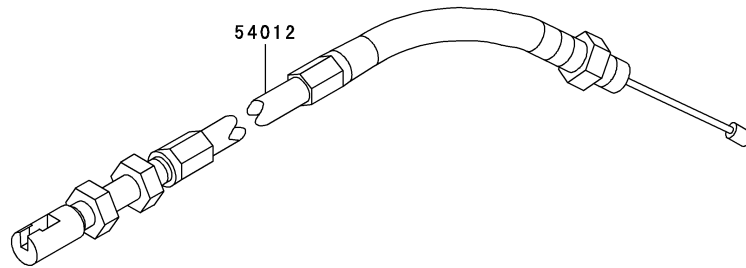
05

This fig. covers:

CONTROL-EQUIPMENT

E0170-A512A

Ref. No.	Part No.	Description	Quantity			
			A	B	C	D
32099	32099-2140	CASE,JOINT	1			
32099A	32099-2140	CASE,JOINT		*		
32099B	32099-2326	CASE			1	1
32099C	32099-2326	CASE		1		
54012	54012-2362	CABLE-THROTTLE	1	1	1	1



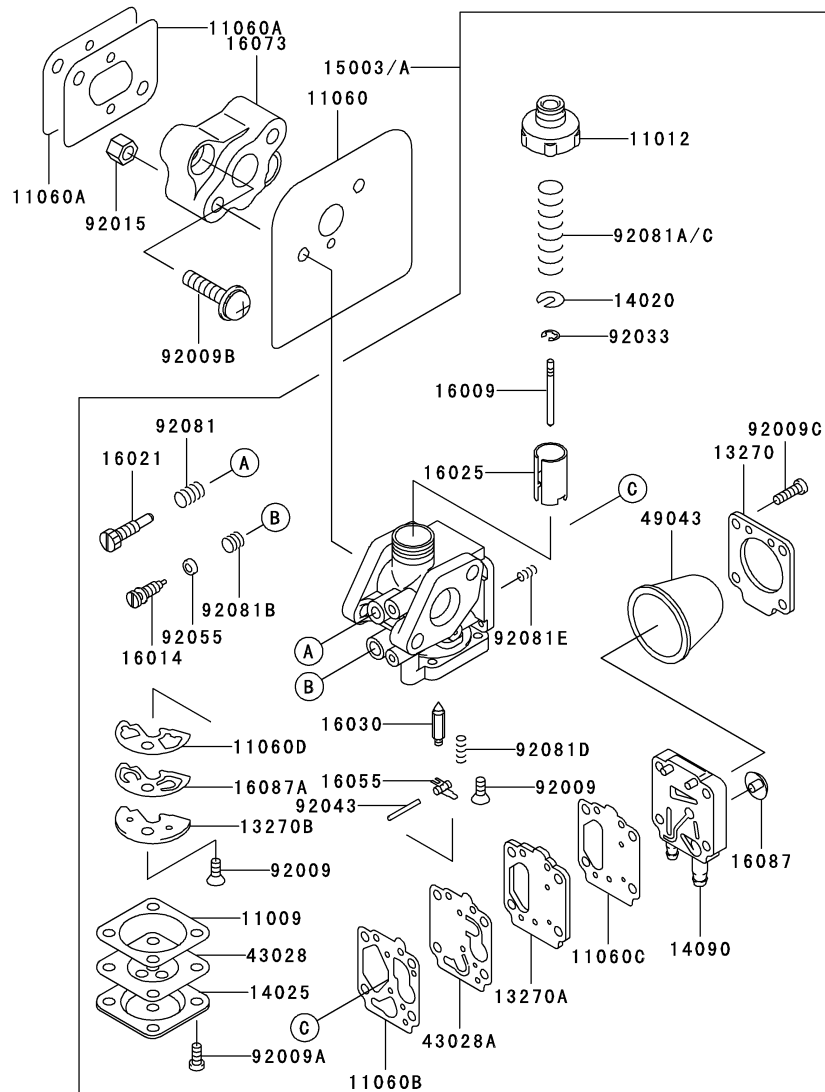
This catalog covers:

TH048D- □ C50

This fig. covers:

06 CARBURETOR

E0180-A105C



Ref. No.	Part No.	Description	Quantity			
			A	B	C	D
11009	11009-2366	GASKET	1	1	1	
11012	11012-2185	CAP,BODY	1	1	1	
11060	11060-2298	GASKET,CARBURETOR	1	1	1	
11060A	11060-2299	GASKET,INSULATOR	2	2	2	
11060B	11060-2305	GASKET	1	1	1	
11060C	11060-2306	GASKET	1	1	1	
11060D	11060-2307	GASKET	1	1	1	
13270	13270-2014	PLATE	1	1	1	
13270A	13270-2015	PLATE	1	1	1	
13270B	13270-2016	PLATE	1	1	1	
14020	14020-2009	RETAINER,VALVE	1	1	1	
14025	14025-2027	COVER	1	1	1	
14090	14090-2060	COVER	1	1	1	
15003	15003-2431	CARBURETOR-ASSY	1			
15003A	15003-2547	CARBURETOR-ASSY		1	1	
16009	16009-2114	NEEDLE-JET,#114	1	1	1	
16014	16014-2064	SCREW-PILOT AIR	1	1	1	
16021	16021-2008	SCREW-THROTTLE STOP	1	1	1	
16025	16025-2173	VALVE-THROTTLE	1	1	1	
16030	16030-2087	VALVE-FLOAT	1	1	1	
16055	13168-2118	ARM-FLOAT	1	1	1	
16073	16073-2176	INSULATOR	1	1	1	
16087	16087-2059	VALVE-CHECK	1	1	1	
16087A	16087-2060	VALVE-CHECK	1	1	1	
43028	43028-2065	DIAPHRAGM	1	1	1	
43028A	43028-2082	DIAPHRAGM	1	1	1	
49043	49043-2071	PUMP-PRIMING	1	1	1	
92009	92009-2053	SCREW	2	2	2	
92009A	92009-2061	SCREW	4	4	4	
92009B	92009-2249	SCREW,5X20	2	2	2	
92009C	92009-2361	SCREW,3X14	4	4	4	
92015	92015-2097	NUT,M5	2	2	2	
92033	92033-2070	RING-SNAP	1	1	1	
92043	92043-2099	PIN	1	1	1	
92055	92055-2067	RING-O	1	1	1	
92081	92081-2245	SPRING	1	1	1	
92081A	92081-2246	SPRING,THROTTLE	1			
92081B	92081-2249	SPRING	1	1	1	
92081C	92081-2272	SPRING		1	1	
92081D	92081-2339	SPRING	1	1	1	
92081E	92081-2340	SPRING	1	1	1	

This catalog covers:

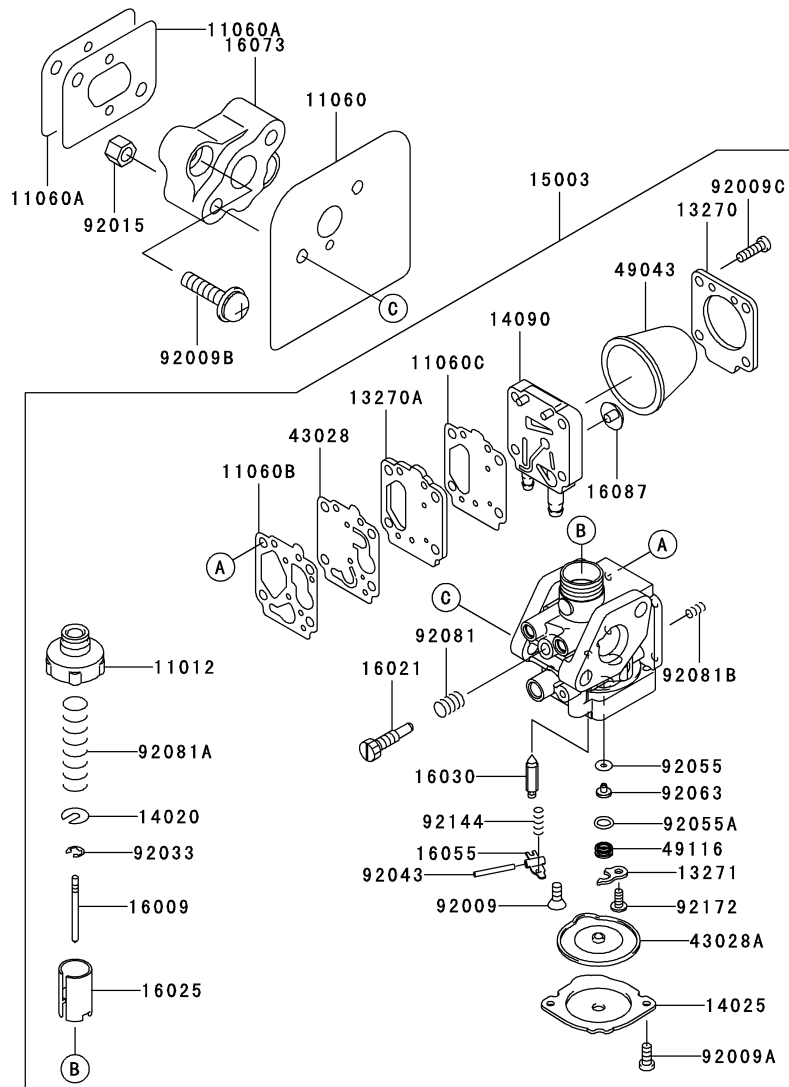
TH048D- □ C50

06

This fig. covers:

CARBURETOR

E0180-A604B



Ref. No.	Part No.	Description	Quantity			
			A	B	C	D
11012	11012-2185	CAP,BODY				1
11060	11060-2298	GASKET,CARBURETOR				1
11060A	11060-2299	GASKET,INSULATOR				2
11060B	11060-2305	GASKET				1
11060C	11060-2306	GASKET				1
13270	13270-2014	PLATE				1
13270A	13270-2015	PLATE				1
13271	13271-2247	PLATE				1
14020	14020-2009	RETAINER,VALVE				1
14025	14025-2027	COVER				1
14090	14090-2060	COVER				1
15003	15003-2938	CARBURETOR-ASSY				1
16009	16009-2114	NEEDLE-JET,#114				1
16021	16021-2008	SCREW-THROTTLE STOP				1
16025	16025-2173	VALVE-THROTTLE				1
16030	16030-2087	VALVE-FLOAT				1
16055	13168-2118	ARM-FLOAT				1
16073	16073-2176	INSULATOR				1
16087	16087-2059	VALVE-CHECK				1
43028	43028-2082	DIAPHRAGM				1
43028A	43028-2093	DIAPHRAGM				1
49043	49043-2071	PUMP-PRIMING				1
49116	49116-2066	VALVE-ASSY				1
92009	92009-2053	SCREW				1
92009A	92009-2061	SCREW				2
92009B	92009-2249	SCREW,5X20				2
92009C	92009-2361	SCREW,3X14				4
92015	92015-2097	NUT,M5				2
92033	92033-2070	RING-SNAP				1
92043	92043-2099	PIN				1
92055	92055-2206	RING-O				1
92055A	92055-2207	RING-O				1
92063	92063-2454	JET-MAIN,#55				1
92081	92081-2245	SPRING				1
92081A	92081-2272	SPRING				1
92081B	92081-2340	SPRING				1
92144	92144-2009	SPRING				1
92172	92172-2086	SCREW				1

This catalog covers:

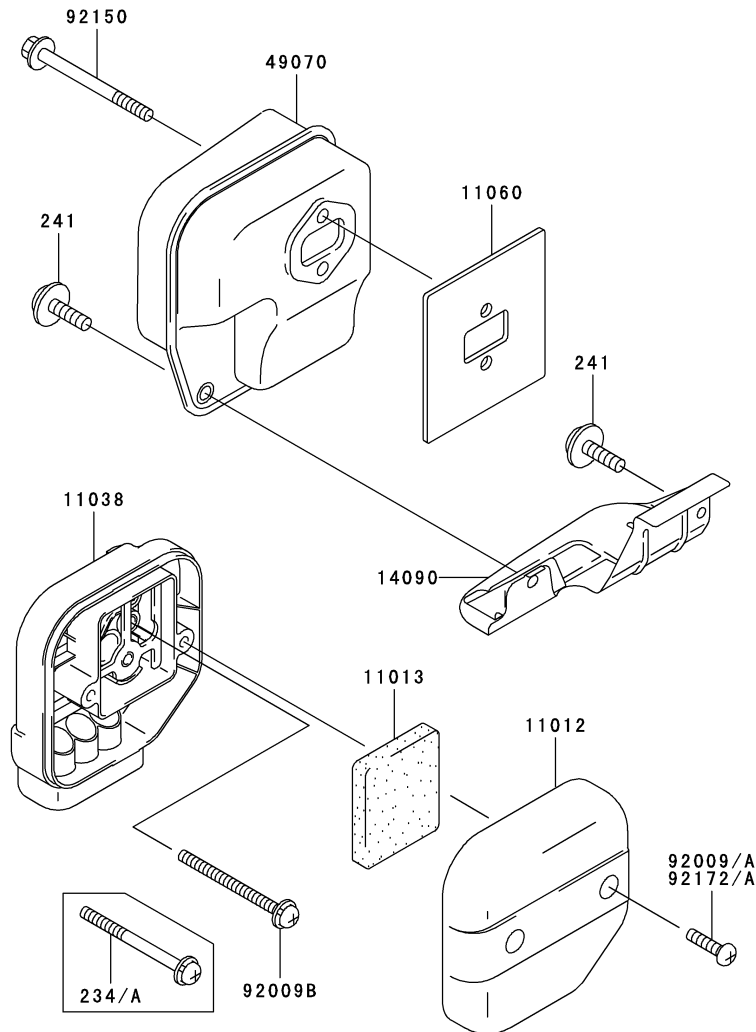
TH048D- □ C50

07

This fig. covers:

AIR-FILTER/MUFFLER

E0190-A783B



Ref. No.	Part No.	Description	Quantity			
			A	B	C	D
11012	11012-2349	CAP,AIR FILTER	1	1	1	1
11013	11013-2081	ELEMENT-AIR FILTER	1	1	1	1
11038	11038-2055	CASE-ASSY-AIR FILTER	1	1	1	1
11060	11060-2297	GASKET,MUFFLER	1	1	1	1
14090	14090-2059	COVER,MUFFLER	1	1	1	1
49070	49070-2630	MUFFLER-COMP	1	1	1	1
92009	92009-2324	SCREW	2	2		
92009A	92009-2324	SCREW			*	
92009B	92009-2449	SCREW,5X55			2	2
92150	92150-2180	BOLT,6X65	2	2	2	2
92172	92172-2062	SCREW				2
92172A	92172-2062	SCREW			2	
234	234B0555	SCREW-PAN-WSP+-	2	2		
234A	234B0555	SCREW-PAN-WSP+-			*	*
241	241B0512	SCREW-PAN-WP+-	2	2	2	2

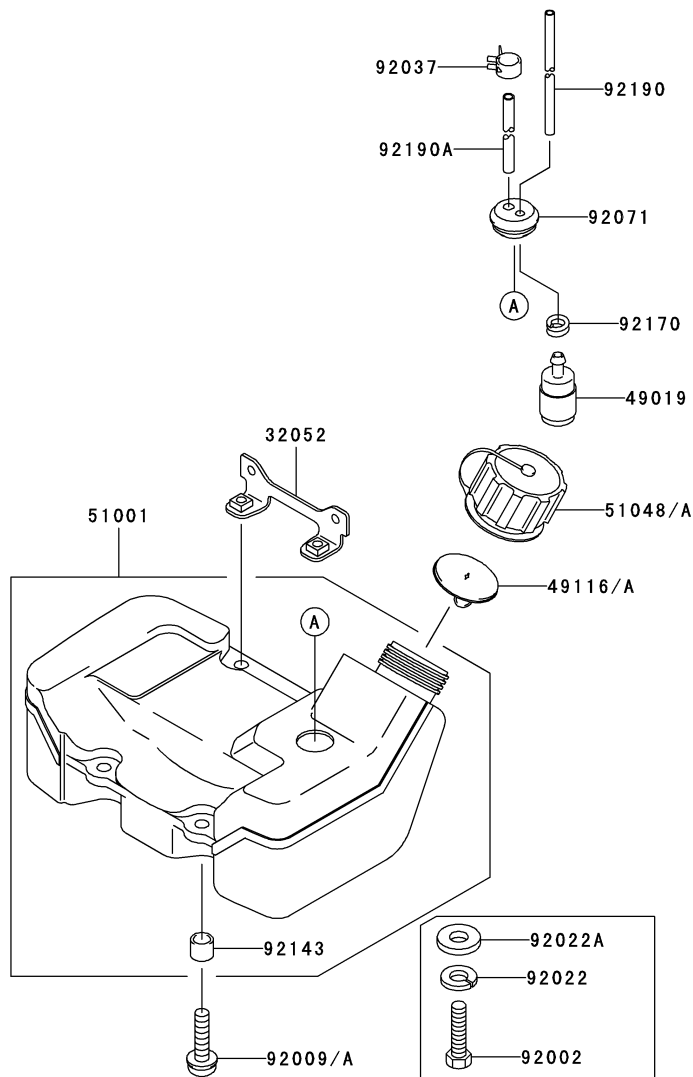
This catalog covers:

TH048D- □ C50

This fig. covers:

08 FUEL-TANK/FUEL-VALVE

E0200-A462B



Ref. No.	Part No.	Description	Quantity			
			A	B	C	D
32052	32052-2215	BRACKET-TANK	1	1	1	1
49019	49019-2111	FILTER-FUEL	1	1	1	1
49116	49116-2064	VALVE-ASSY			1	1
49116A	49116-2064	VALVE-ASSY	1	1		
51001	51001-2268	TANK-COMP-FUEL	1	1	1	1
51048	51048-2077	CAP-ASSY-TANK	1	1		
51048A	51048-2078	CAP-ASSY-TANK			1	1
92002	92002-2322	BOLT,5X20	4	*		
	(-				
92009	92009-2383	SCREW,5X20			4	4
92009A	92009-2383	SCREW,5X20		4		
	(TH048-006310 -				
)					
92022	92022-2161	WASHER	4	4		
	(-				
92022A	92022-2182	WASHER	4	4		
	(-				
)	TH048-006309)				
92037	92037-2139	CLAMP	1	1	1	1
92071	92071-2142	GROMMET,FUEL TANK	1	1	1	1
92143	92143-2162	COLLAR	4	4	4	4
92170	92170-2080	CLAMP,FUEL FILTER	1	1	1	1
92190	92190-2157	TUBE,3X5X200	1	1	1	1
92190A	92190-2161	TUBE,3X6X100	1	1	1	1

This catalog covers:

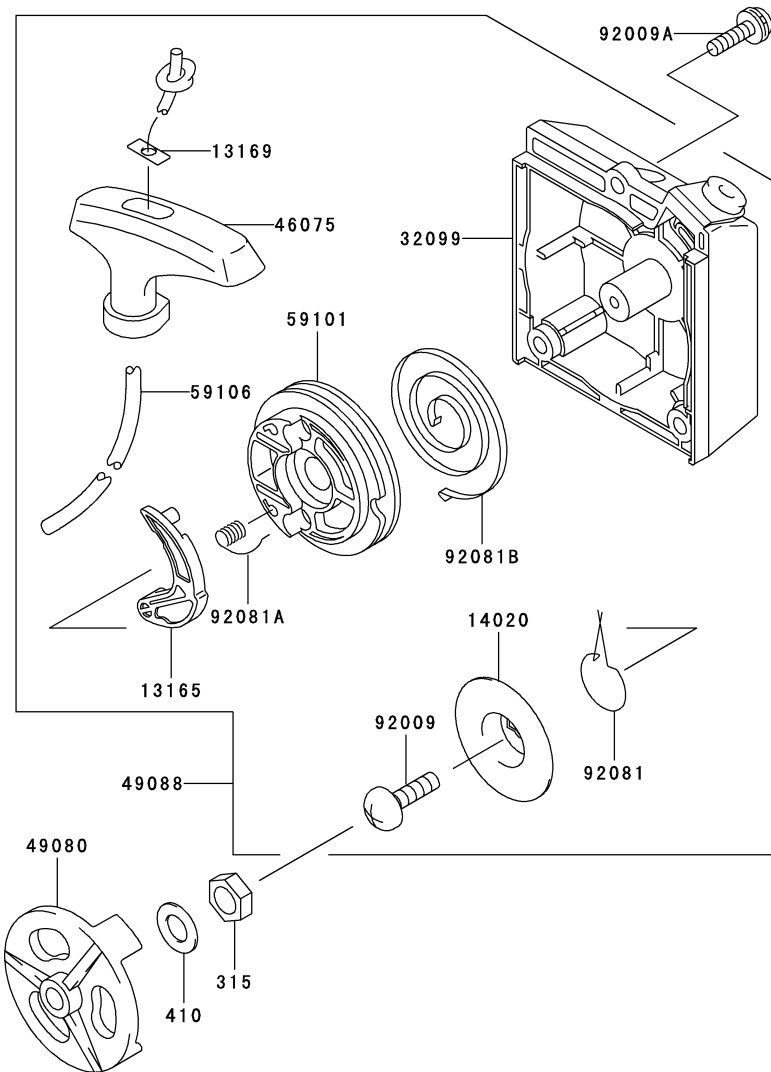
TH048D- □ C50

09

This fig. covers:

STARTER

E0210-A040B



Ref. No.	Part No.	Description	Quantity			
			A	B	C	D
13165	13165-2058	PAWL,RECOIL STARTER	1	1	1	1
13169	13169-2386	PLATE,RECOIL STARTER	1	1	1	1
14020	14020-2057	RETAINER,RECOIL STARTER	1	1	1	1
32099	32099-2272	CASE,RECOIL STARTER	1	1	1	1
46075	46075-2067	GRIP,RECOIL STARTER	1	1	1	1
49080	49080-2173	PULLEY-STARTING	1	1	1	1
49088	49088-2442	STARTER-RECOIL	1	1	1	1
59101	59101-2067	REEL,RECOIL STARTER	1	1	1	1
59106	59106-2077	ROPE,3.8X1200	1	1	1	1
92009	92009-2218	SCREW,5X12	1	1	1	1
92009A	92009-2249	SCREW,5X20	3	3	3	3
92081	92081-2274	SPRING	1	1	1	1
92081A	92081-2275	SPRING	1	1	1	1
92081B	92081-2318	SPRING	1	1	1	1
315	315B0800	NUT-HEX-FINE	1	1	1	1
410	410B0800	W-PLAIN-S	1	1	1	1

This catalog covers:

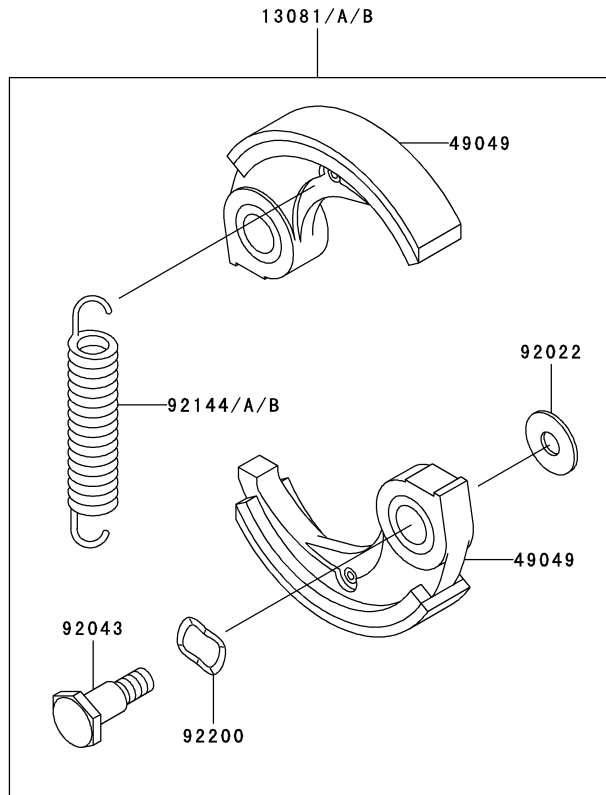
TH048D- □ C50

E0220-A008C

10

This fig. covers:

P.T.O-EQUIPMENT



Ref. No.	Part No.	Description	Quantity			
			A	B	C	D
13081	13081-2195	CLUTCH-ASSY	*			
	(
13081A	13081-2221	CLUTCH-ASSY		1	1	1
13081B	13081-2221	CLUTCH-ASSY	1			
	(TH048-005925 -				
49049	49049-2075	SHOE-CLUTCH	2	2	2	2
92022	92026-2125	WASHER	2	2	2	2
)					
92043	92043-2210	PIN,CLUTCH	2	2	2	2
92144	92144-2283	SPRING,CLUTCH	*	2	2	2
	(
92144A	92144-2390	SPRING		1	1	1
92144B	92144-2390	SPRING	1			
	(TH048-005925 -				
92200	92200-2064	WASHER,SPRING,10.5X14.5X0.3	2	2	2	2
)					

This catalog covers:

TH048D- □ C50

11

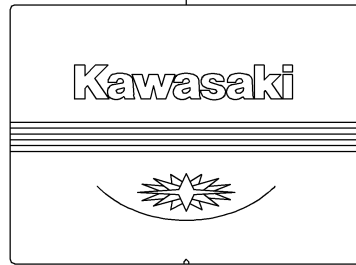
This fig. covers:

LABEL

F0290-B177A

Ref. No.	Part No.	Description	Quantity			
			A	B	C	D
56038	56038-2894	LABEL-BRAND	1	1	1	1
56039	56039-2701	LABEL-PRODUCT	1	1	1	1
56070	56070-2004	LABEL-WARNING	1			
56070A	56070-2020	LABEL-WARNING		1	1	1

56038



56039

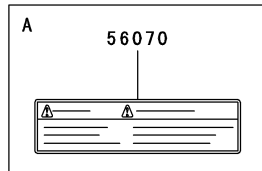


56070A



A

56070



This catalog covers:

TH048D- □ C50

This fig. covers:

PART NAME INDEX

AIR-FILTER/MUFFLER.....	07
CARBURETOR.....	06
CARBURETOR.....	06
CONTROL-EQUIPMENT.....	05
COOLING-EQUIPMENT.....	03
CYLINDER/CRANKCASE.....	01
ELECTRIC-EQUIPMENT.....	04
FUEL-TANK/FUEL-VALVE.....	08
LABEL.....	11
P.T.O-EQUIPMENT.....	10
PISTON/CRANKSHAFT.....	02
STARTER.....	09

This catalog covers:

TH048D- C50

This fig. covers:

NUMERICAL PARTS INDEX

Part No.	Fig No.	Part No.	Fig No.	Part No.	Fig No.	Part No.	Fig No.	Part No.	Fig No.
11005-2123.....	01	16087-2059.....	06	59101-2067.....	09	92081-2340.....	06		
11009-2366.....	06	16087-2060.....	06	59106-2077.....	09	92143-2162.....	08		
11012-2185.....	06	21050-2240.....	04	92002-2150.....	01	92144-2009.....	06		
11012-2185.....	06	21130-2056.....	04	92002-2322.....	08	92144-2283.....	10		
11012-2349.....	07	21169-2051.....	04	92009-2053.....	06	92144-2390.....	10		
11013-2081.....	07	21171-2195.....	04	92009-2053.....	06	92144-2390.....	10		
11038-2055.....	07	214B0514.....	03	92009-2061.....	06	92150-2180.....	07		
11060-2296.....	01	214B0520.....	03	92009-2061.....	06	92150-2182.....	04		
11060-2297.....	07	234B0555.....	07	92009-2115.....	01	92170-2041.....	04		
11060-2298.....	06	234B0555.....	07	92009-2218.....	09	92170-2080.....	08		
11060-2298.....	06	241B0512.....	07	92009-2234.....	03	92172-2060.....	03		
11060-2299.....	06	26011-2023.....	04	92009-2234.....	03	92172-2060.....	03		
11060-2299.....	06	26011-2300.....	04	92009-2249.....	06	92172-2062.....	07		
11060-2305.....	06	315B0800.....	09	92009-2249.....	06	92172-2062.....	07		
11060-2305.....	06	315B1000.....	04	92009-2249.....	09	92172-2086.....	06		
11060-2306.....	06	32052-2215.....	08	92009-2324.....	07	92190-2157.....	08		
11060-2306.....	06	32099-2140.....	05	92009-2324.....	07	92190-2161.....	08		
11060-2307.....	06	32099-2140.....	05	92009-2361.....	06	92200-2064.....	10		
13001-2141.....	02	32099-2272.....	09	92009-2361.....	06				
13002-2067.....	02	32099-2326.....	05	92009-2383.....	08				
13008-6044.....	02	32099-2326.....	05	92009-2383.....	08				
13033-2005.....	02	34001-2082.....	01	92009-2449.....	07				
13081-2195.....	10	410B0800.....	09	92015-2097.....	06				
13081-2221.....	10	410B1000.....	04	92015-2097.....	06				
13081-2221.....	10	43028-2065.....	06	92022-2161.....	08				
13165-2058.....	09	43028-2082.....	06	92022-2182.....	08				
13168-2118.....	06	43028-2082.....	06	92025-2135.....	02				
13168-2118.....	06	43028-2093.....	06	92025-2136.....	02				
13169-2386.....	09	46075-2067.....	09	92025-2137.....	02				
13270-2014.....	06	49019-2111.....	08	92026-2125.....	10				
13270-2014.....	06	49043-2071.....	06	92033-2058.....	02				
13270-2015.....	06	49043-2071.....	06	92033-2070.....	06				
13270-2015.....	06	49049-2075.....	10	92033-2070.....	06				
13270-2016.....	06	49070-2630.....	07	92037-2139.....	08				
13271-2247.....	06	49080-2173.....	09	92043-2099.....	06				
14002-2316.....	01	49088-2442.....	09	92043-2099.....	06				
14002-2317.....	01	49089-2385.....	03	92043-2210.....	10				
14020-2009.....	06	49089-2385.....	03	92045-2005.....	01				
14020-2009.....	06	49089-2386.....	03	92049-2206.....	01				
14020-2057.....	09	49089-2553.....	03	92055-2067.....	06				
14025-2027.....	06	49089-2553.....	03	92055-2206.....	06				
14025-2027.....	06	49116-2064.....	08	92055-2207.....	06				
14090-2059.....	07	49116-2064.....	08	92059-2103.....	04				
14090-2060.....	06	49116-2066.....	06	92063-2454.....	06				
14090-2060.....	06	49119-2173.....	02	92070-2051.....	04				
15003-2431.....	06	51001-2268.....	08	92070-2060.....	04				
15003-2547.....	06	51048-2077.....	08	92071-2097.....	04				
15003-2938.....	06	51048-2078.....	08	92071-2142.....	08				
16009-2114.....	06	510A3100.....	04	92071-2143.....	04				
16009-2114.....	06	54012-2362.....	05	92081-2245.....	06				
16014-2064.....	06	551A0410.....	01	92081-2245.....	06				
16021-2008.....	06	551A0610.....	01	92081-2246.....	06				
16021-2008.....	06	56038-2894.....	11	92081-2249.....	06				
16025-2173.....	06	56039-2701.....	11	92081-2272.....	06				
16025-2173.....	06	56070-2004.....	11	92081-2272.....	06				
16030-2087.....	06	56070-2020.....	11	92081-2274.....	09				
16030-2087.....	06	59066-2651.....	03	92081-2275.....	09				
16073-2176.....	06	59066-2651.....	03	92081-2318.....	09				
16073-2176.....	06	59066-2747.....	03	92081-2339.....	06				
16087-2059.....	06	59066-2747.....	03	92081-2340.....	06				