

P i Pa Li [FRMPARTSLIST]

P M

Se ec ba d P d c a ge

M de a e Search

Se ec de c de

..Ch e ec i < > Reset

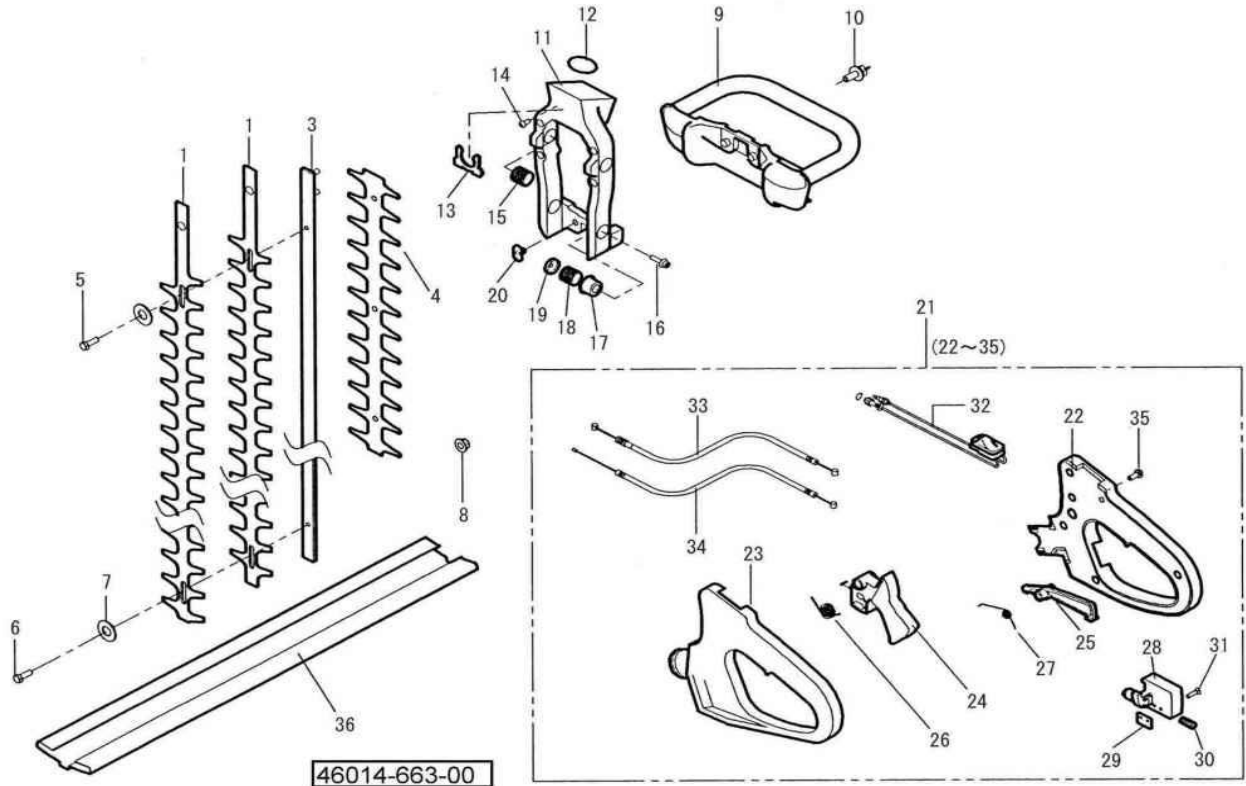
I dica e e a

..Ch e ec i < > Reset

I dica e e gi e de

..Ch e ec i < > Reset

E e i f ai i he ge e b a d he ea cha d he c ic he "Sea ch" b



- (A) TM3200
- (B)
- (C)

Ref.N	Pa .N	Pa .Na e	(A)Q'	(B)Q'	(C)Q'	Re a
1	91054-116	CUTTER(B)	2			
3	11051-128	CUTTER GUIDE	1			
4	51090-135	PROTECTOR	1			
5	31029-105	STEP BOLT(S)	1			
6	31029-110	STEP BOLT(S)	4			
7	68002-101	CUTTER WASHER	5			
8	584L0600	U-FLANGE NUT	5			
9	51027-276	HANDLE	1			
10	31057-235	BOLT	2			
11	51022-184	BRACKET	1			
12	214B5000	O-RING (S50)	1			
13	11086-179	STOPPER	1			
14	477L0408	(+)TAPPING SCREW	2			
15	68013-326	SPRING	2			
16	423U0515	SOCKET SCREW FLANGE	4			
17	11102-210	HOLDER	4			
18	68013-327	SPRING	2			
19	11102-209	HOLDER	4			
20	31038-102	FIXING NUT	2			
21	71014-452	HANDLE ASS Y	1			
22	51106-141	HANDLE(R)	1			
23	51106-142	HANDLE(R)	1			
24	91010-195	THROTTLE LEVER	1			
25	36081-117	LOCK LEVER	1			
26	68013-321	SPRING	1			
27	68013-322	SPRING	1			
28	36061-147	KNOB	1			
29	11050-167	FIXING PLATE	1			
30	68013-323	SPRING	1			

31	465L0310	(+)TAPPING SCREW	2			
32	71148-174	STOP SWITCH ASS Y	1			
33	91057-108	BRAKE WIRE	1			
34	91001-310	THROTTLE WIRE	1			
35	471L0420	TAPPING SCREW	4			
36	36065-471	COVER	1			