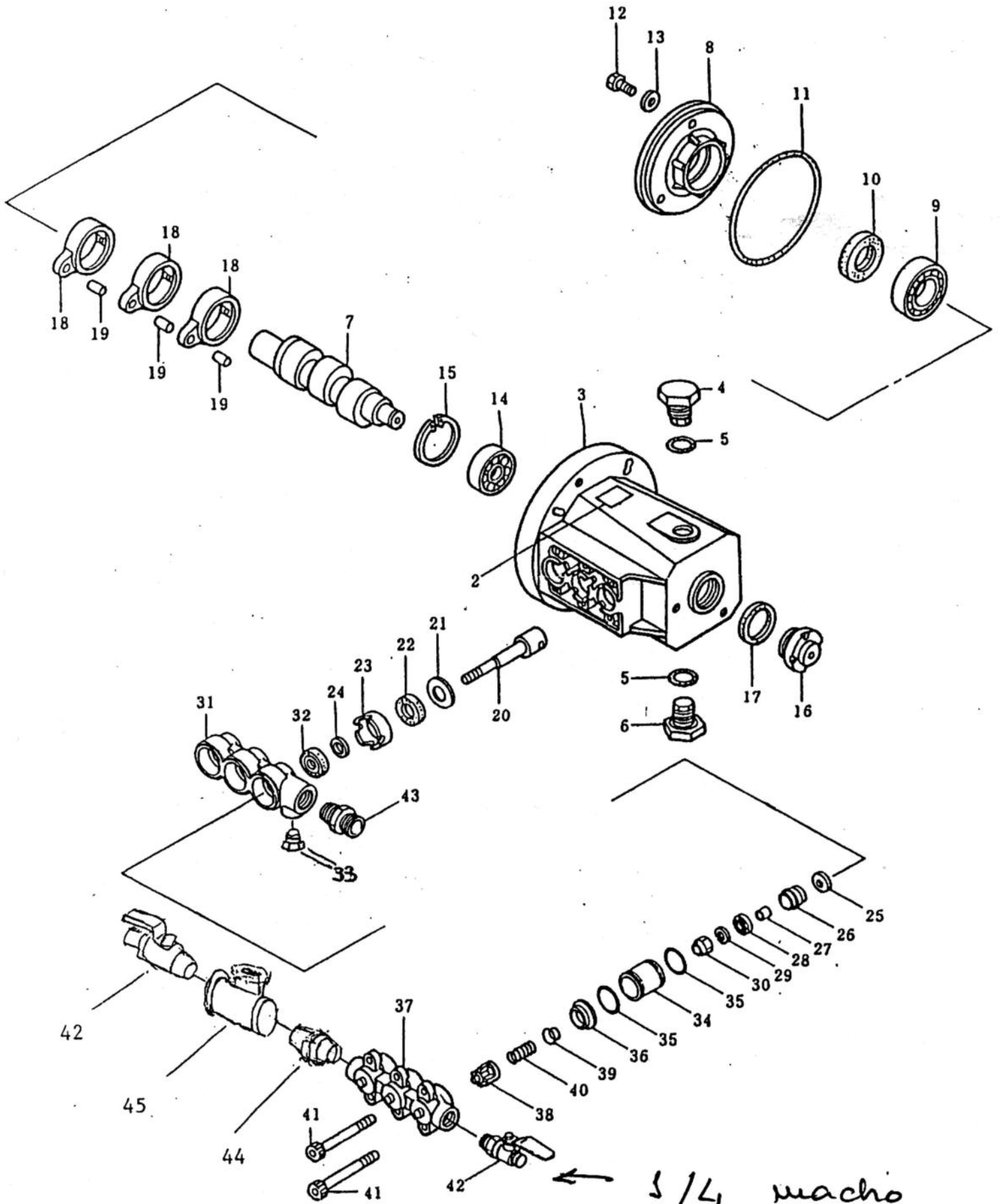


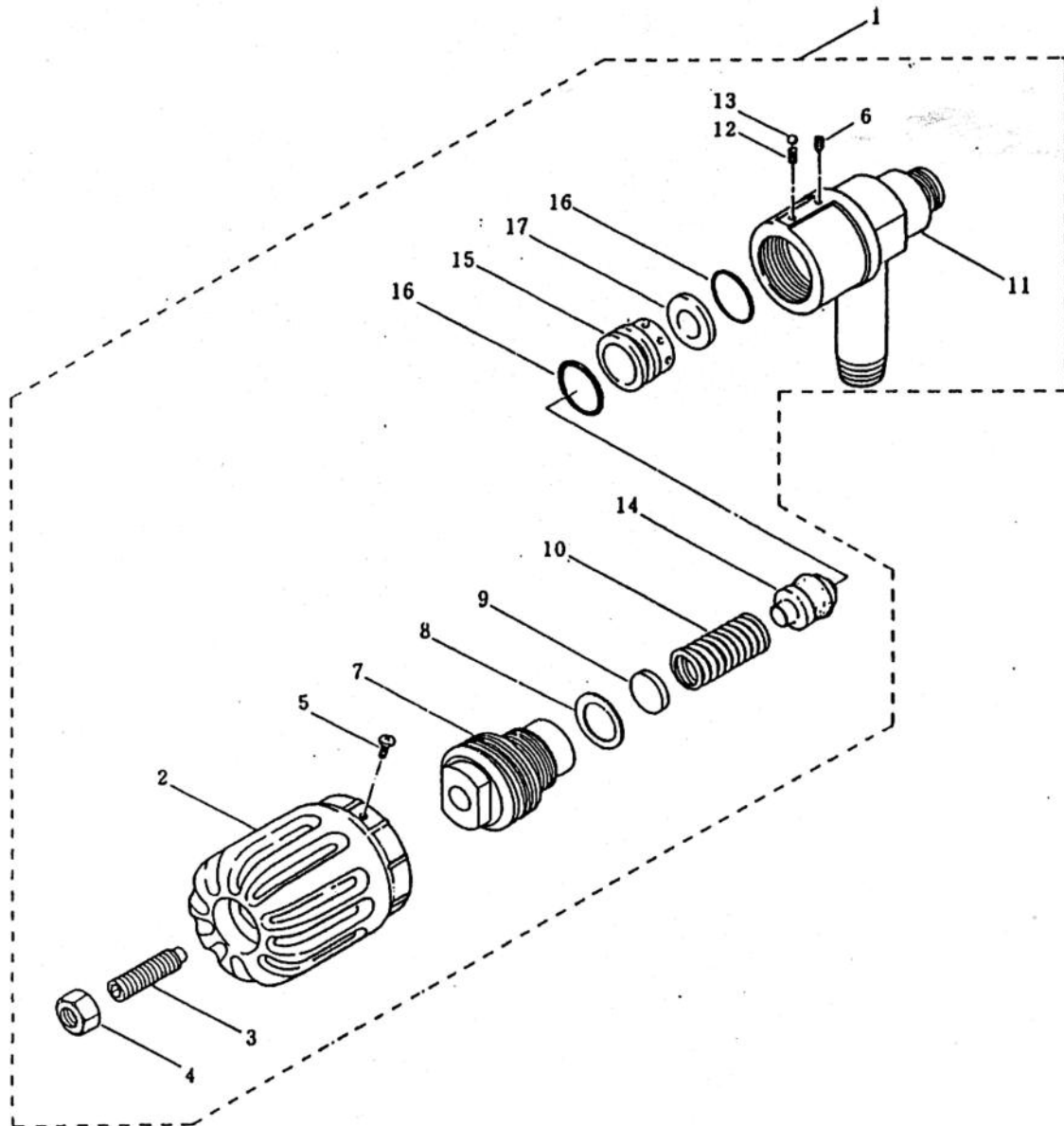
1. MS160 (SPAIN)



Ref.No.	Part No.	Description	Q'ty	Remarks
1-1	353962	MS160 (Spain)	1	
1-2	541818	Name plate	1	
1-3	045993	Crank case	1	
1-4	044839	Cap, oil filter	1	
1-5	014179	Shim, manifold	2	P20
1-6	044842	Plug, drain	1	
1-7	540968	Crank Shaft	1	
1-7	541020	Crank shaft	1	
1-8	044857	Case, bearing	1	
1-9	014488	Bearing, inner 6006	1	# 6006
1-10	044859	Oil seal	1	D30477
1-11	014044	O-ring	1	S112
1-12	089551	Hex, head screw	3	M6 x 16
1-13	150810	Washer, seal	3	M8
1-14	016710	Bearing	1	# 6204
1-15	012385	Ring, retaining	1	H47
1-16	049887	Gauge, oil bubble	1	17 include
1-17	044428	Packing	1	$\phi 25 \times \phi 34 \times t2.5$
1-18	044863	Rod, connecting	3	
1-19	016948	Pin, rod	3	$\phi 9 \times 22L$
1-20	540948	Piston rod ass'y	3	
1-21	020017	Washer	3	$\phi 17 \times \phi 24 \times t1.2$ MS/53 (1-27)
1-22	025461	Oil seal	3	S10.5247
1-23	044869	Retainer, seal	3	
1-24	011402	Wick, oil	3	
1-25	028339	Machined disc	3	
1-26	028989	Piston packing	3	
1-27	027983	Spacer, piston	3	
1-28	027002	Retainer, piston	3	
1-29	015849	Washer, lock	3	M8
1-30	046385	Nut, nylon	3	M0
1-31	044978	Manifold A	1	
1-32	103298	U-packing	3	
1-33	101656	Blind plug	1	
1-34	540948	Cylinder pipe	3	
1-35	011377	O-ring, cylinder	6	P22
1-36	044881	Machined tapered disc	3	
1-37	044879	Manifold, discharge-B	1	
1-38	045860	Retainer, spring	3	
1-39	043723	Machined disc	3	
1-40	541082	Spring	3	
1-41	087859	Screw, socket	6	M8 x 75
1-42	165994	Ball cock ass'y	2	PT3/8 x PF1/4

2. MS160 (SPAIN)

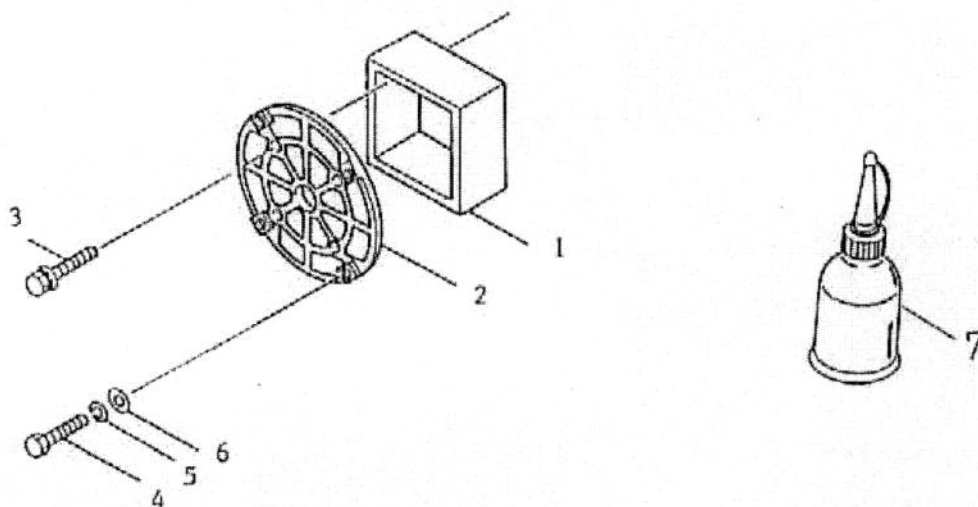
Ref.No.	Part No.	Description	Q'ty	Remarks
1-43	028371	Extension nipple	1	3/8 - 18NPT x PF1/2
1-44	112569	Nipple	1	
1-45	112570	T-shaped joint	1	



3. MS160 (SPAIN)

Accessories

Ref.No.	Part No.	Description	Q'ty	Remarks
2-1	540969	Cylinder pipe	1	2~17 include
2-2	540938	Grip	1	
2-3	088913	Screw M8 x 35	1	M8 x 35
2-4	081039	Nut M8	1	M8
2-5	087483	Screw	2	M3 x 5
2-6	088912	Screw	1	M4 x 6
2-7	106495	Guide	1	
2-8	106499	Washer	1	$\phi 18 \times \phi 21 \times 10,7$
2-9	109384	Spring	1	
2-10	109298	Comp, Coil Spring	1	
2-11	540937	Pressure Regulator Body	1	
2-12	107221	Spring	1	
2-13	106498	Valve Ball	1	5/32"
2-14	105724	Piston Ass'y	1	
2-15	103306	Sleeve	1	
2-16	019261	O-ring	2	P16
2-17	103304	Valve Seat	1	



Ref.No.	Part No.	Description	Q'ty	Remarks
3-1	540963	Stay	1	
3-2	044942	Flange	1	
3-3	817012	Screw, Hex	4	M8 x 40
3-4	044683	Screw, Hex	4	3/8-16UNC x 35
3-5	012503	Washer	4	M10
3-6	012490	Washer	4	M10
3-7	015773	Oilfeeder	1	