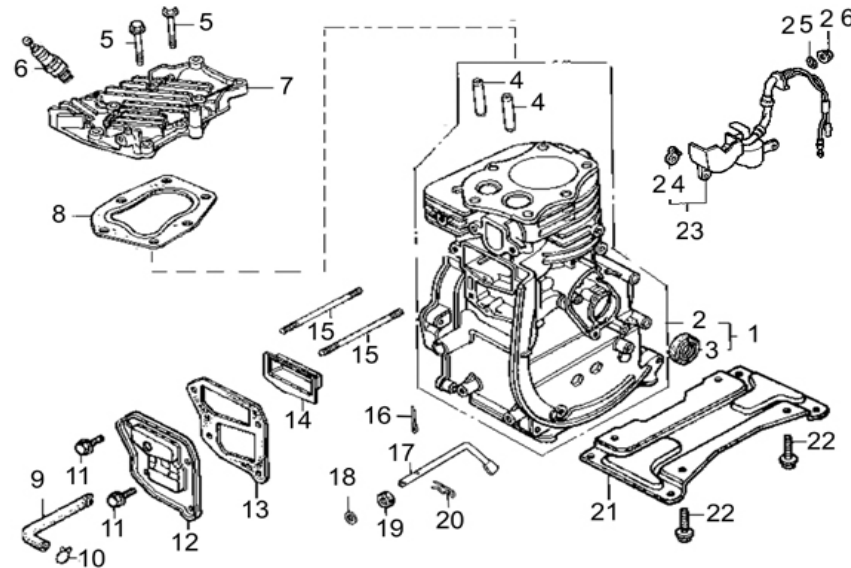
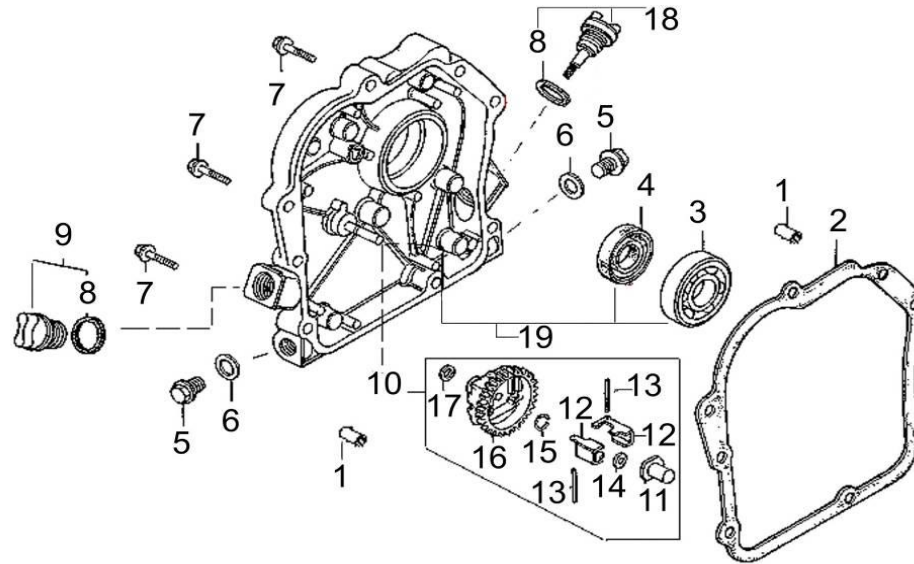


01 - Cylinder Barrel & Cylinder Head



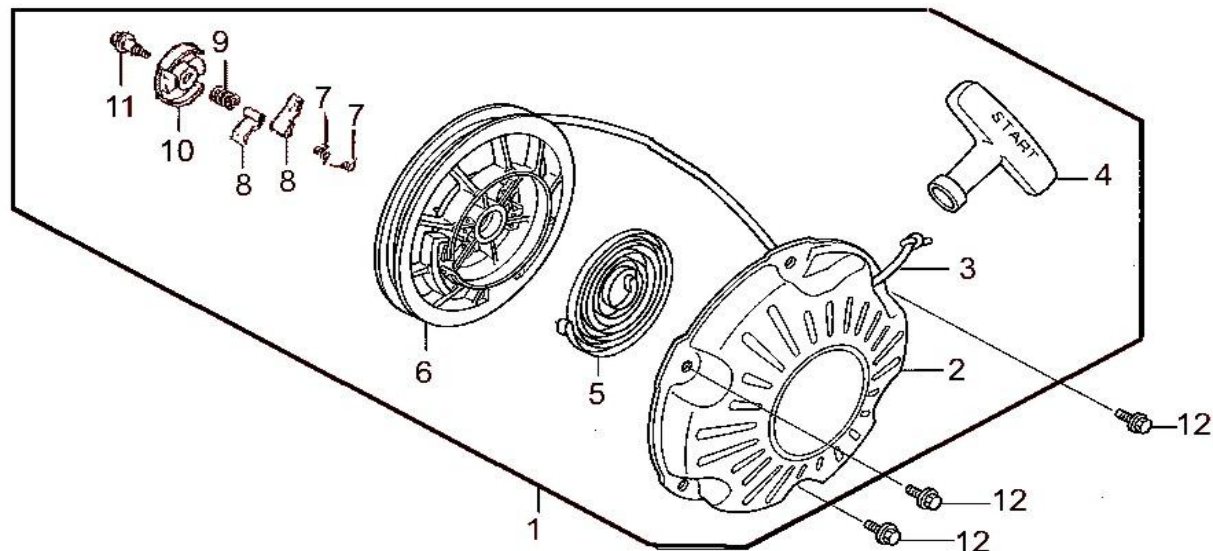
Nr.	GSP Part Nr.	Description	Honda Reference	Quantity	Price \$
1	M1H2401055	Cylinder Barrel Complete no oil alert	-	1	8,880
	M1H24010H5	Cylinder Barrel Complete Oil alert	-	1	
2	M1H2401060	Cylinder Barrel	-	1	8,730
3	M1H2402991	Oil Seal (17x30x6)	91202-892-004 (NOK)	1	0,150
4	M1H2401011	Valve Guide	12133-896-306	2	0,480
5	-	Bolt Flange (M6x35mm.)	-	6	0,020
6	M1H2401110	Spark Plug	98073-54941- (NGK)	1	0,380
7	M1H2401010	Cylinder Head	12221-896-650	1	1,180
8	M1H2401030	Cylinder Head Gasket	12281-896-000	1	0,340
9	M1H2401150	Return Rubber Pipe	-	1	0,120
10	M105512120	Tube Clip (B8)	-	1	0,060
11	-	Bolt Flange (M5x10mm.)	-	4	0,010
12	M1H2401070	Tappet Room Cover	12361-896-000	1	0,380
13	M1H2401080	Tappet Room Gasket	12375-896-000	1	0,170
14	M1H2401090	Inner Separator Complete	12370-896-000	1	0,230
15	-	Bolt Stud (M5x10mm.)	-	2	0,050
16	M1H2401100	Split Pin 2.5x28	94201-25280-	1	0,030
17	M1H2401160	Governor Arm Shaft	16541-896-000	1	0,210
18	-	Plain Washer 5mm.	-	1	0,020

02 - Crankcase Cover



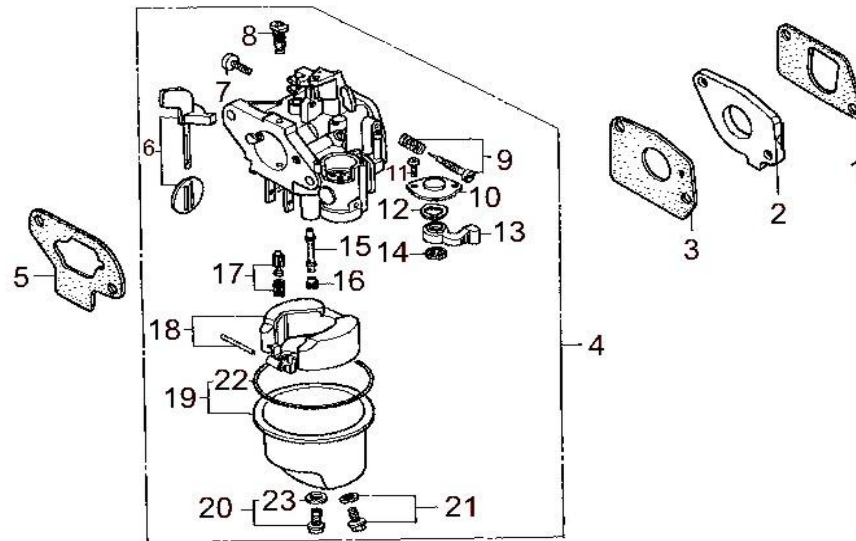
Nr.	GSP Part Nr.	Description	Honda Reference	Quantity	Price \$
1	M1H2402052	Dowel Pin (ø8x14mm.)	94301-08140-	2	0,030
2	M1H2402020	Case Cover Gasket	11381-896-000	1	0,140
3	M1H2402075	Radial Ball Bearing 6203	96100-6203000	1	0,330
4	M1H2402991	Oil Seal (17x30x6)	91202-892-004 (NOK)	1	0,150
5	M1H2402049	Drain Plug Bolt (M12x15mm.)	90131-896-650	2	0,050
6	M1H2402061	Drain Plug Washer (12mm.)	94109-12000-	2	0,030
7	-	Bolt Flange (M6x29mm.)	-	6	0,020
8	M1H2402035	Oil Filler Cup Gasket	15621-896-010	2	0,060
9	M1H2402111	Oil Filler Cup Assy.	-	1	0,130
10	M1H2402100	Governor Gear Assy.	-	1	0,360
11	M1H2402110	Governor Slider	16531-896-000	1	0,040
12	M1H2402130	Governor Weight	16511-896-000	2	0,010
13	M1H2402180	Governor Weight Pin	16513-ZE1-000	2	0,030
14	-	Washer	-	1	0,020
15	M1H2402120	Governor Holder Clip	90602-ZE1-000	1	0,030
16	M1H2402150	Governor Gear	16512-896-300	1	0,340
17	-	Plain Washer 6mm.	-	1	0,010
18	M1H2402031	Gauge Oil Filler Cup Assy.	-	1	0,120
19	M1H2402011	Crankcase Cover Assy.	-	1	2,700

06 - Recoil Starter



Nr.	GSP Part Nr.	Description	Honda Reference	Quantity
1	M1H2406010	Steel Recoil starter Assy.	-	1
2	M1H2406020	Recoil Starter Case	-	1
3	M1H2406110	Rope	-	1
4	M105506120	Knob	-	1
5	M1H2406100	Recoil Starter Spring	-	1
6	M1H2406030	Recoil Starter Reel	-	1
7	M105506170	Return spring for steel starter	-	2
8	M105506160	Ratchet	-	2
9	M105506150	Friction Spring	-	1
10	M105506140	Steel Ratchet guide	-	1
11	M105506130	Screw Setting	-	1
12	-	Bolt Flange (M6x8mm.)	-	3

08 - Carburetor



Nr.	GSP Part Nr.	Description	Honda Reference	Quantity
1	M1H2408030	Packing Insulator	16212-ZG0-800	1
2	M1H2408100	Carburetor Insulator	16211-ZG0-020	1
3	M1H2408110	Packing Carburetor	16221-ZG0-801	1
4	M1H2408010	Carburetor Assy.	16100-ZG0-W02	1
5	M1H2408120	Packing Air Cleaner	16269-ZG0-800	1
6	M1H2408020	Choke Set	16044-ZG0-W00	1
7	M1H2408026	Throttle Stop Screw	16124-ZE0-005	1
8	M1H2408124	Pilot Jet Set	-	1
9	M1H2408024	Pilot Screw Set	16016-ZE0-005	1
10	M1H2408121	Lever Setting Plate	16954-ZE1-812	1
11	-	Pan Screw (3x6mm.)	93500-030061H	2
12	M1H2408119	Cock Lever Spring	16956-ZE1-811	1
13	M1H2408117	Cock Lever	16953-ZG0-812	1
14	M1H2408116	Fuel Cock Packing	16957-ZE1-812	1
15	M1H2408012	Main Nozzle	16166-ZG0-W20	1
16	M1H2408013	Main Jet	-	1

