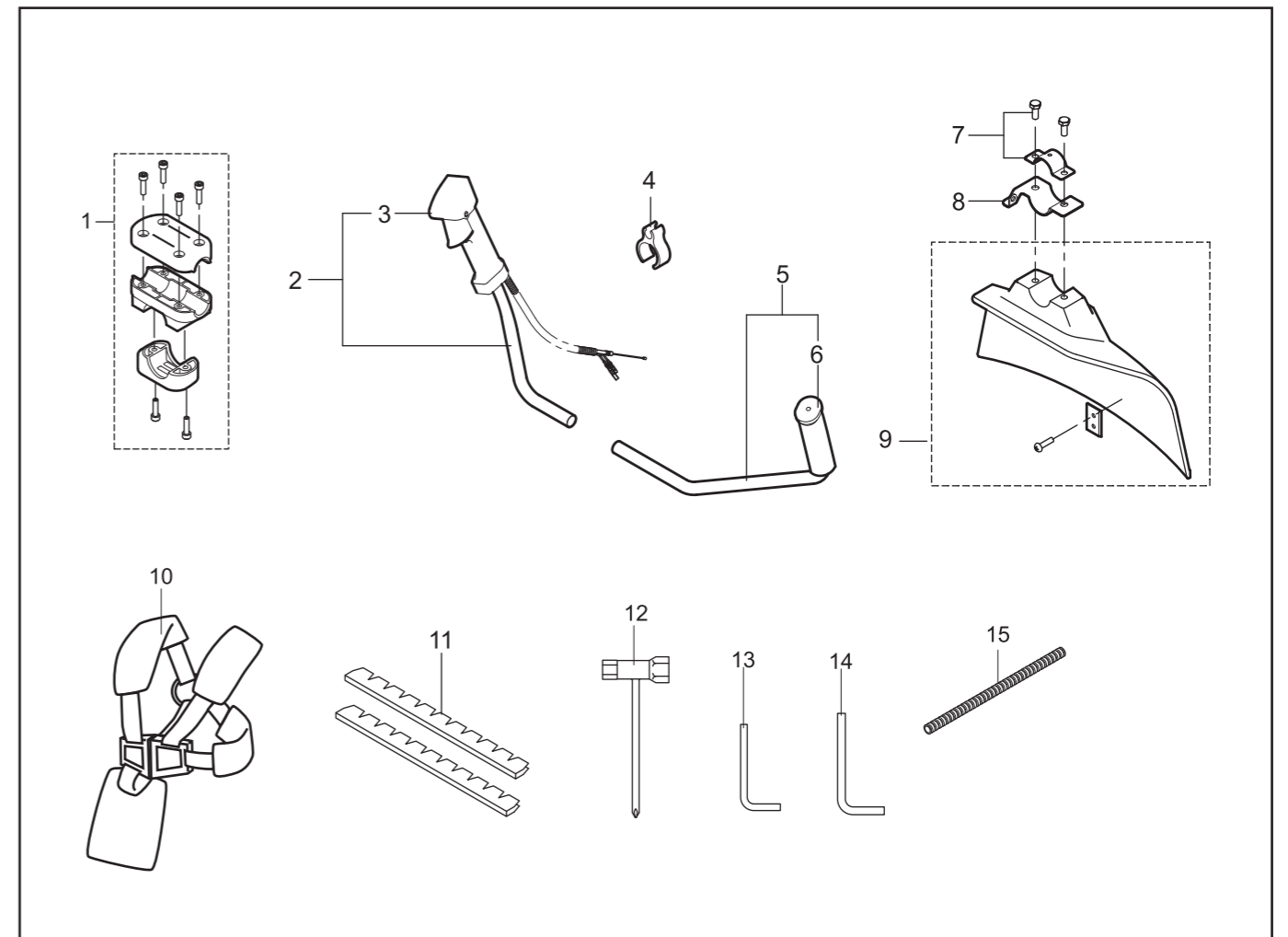


**PARTS LIST
VS400**

46011-778-01

REF. No.	PARTS No.	PARTS NAME	Gear case and Driving apparatus		PRICE()	RECOMM.(%) Lot.100	REMARKS
			Q'TY	INCLUDING			
1	71008 319	GEAR CASE ASS'Y	1				
2	11001 148	HOLDER(A)	1				
3	11002 115	HOLDER(B)	1				
4	61001 121	SPLINE SLEEVE	1				
5	31001 106	SAW LOCK NUT	1				
6	322N 0810	(+)HEXAGON BOLT	1				M8 x 10
7	412N 0620	SOCKET SCREW	1				M6 x 20
8	413N 0515	SOCKET SCREW (w/sw)	1				M5 x 15
9	71130 131	MAIN PIPE C.P.	1				
10	64011 234	MAIN SHAFT	1				
11	71012 138	HANGER BAND ASS'Y	1				
12	71010 140 65	CLUTCH CASE ASS'Y	1				
13	413N 0515	SOCKET SCREW (w/sw)	1				M5 x 15
14	416N 0630	SOCKET SCREW	1				M6 x 30
15	11024 130 09	STAND	1				
16	416N 0635	SOCKET SCREW	4				M6 x 35
17	11027 119	STABILIZER	1				



**PARTS LIST
VS400**

46011-778-01

REF. No.	PARTS No.	PARTS NAME	Handle and Fittings		PRICE()	RECOMM.(%) Lot.100	REMARKS
			Q'TY	INCLUDING			
1	71011 153 65	HANDLE JOINT ASS'Y	1				
2	71014 346	HANDLE ASS'Y(R)	1				
3	71056 225	THROTTLE LEVER ASS'Y	1				
4	51002 110	WIRE HOLDER	2				
5	71014 345	HANDLE ASS'Y(L)	1				
6	36007 154	HANDLE GRIP	1				
7	71038 169	GUARD BAND SET	1				
8	11029 137	SAFETY GUARD BAND	1				
9	71303 103	SAFETY GUARD SET	1				
10	36063 206	SHOULDER BAND	1				
11	36044 107	BLADE COVER	1				
12	66006 117	BOX SPANNER	1				17 x 19+Driver
13	66007 103	L WRENCH	1				4
14	66007 104	L WRENCH	1				5
15	41003 128	TUBE	1				