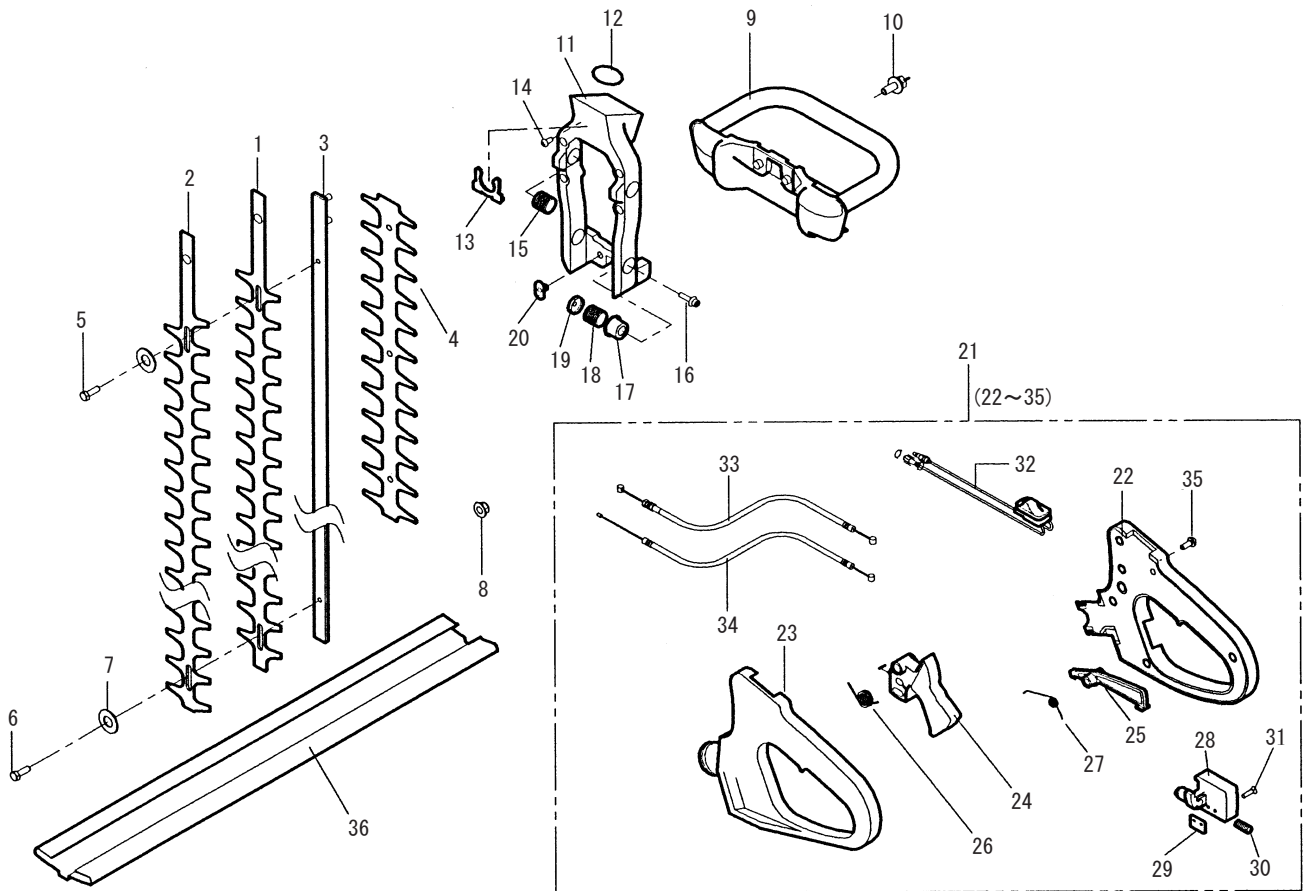


TM3200

CUTTER, HANDLE



PARTS LIST

| REF. No. | PARTS No. | PARTS NAME | CUTTER, HANDLE | | | 3/4 | Jun, 2003 | REMARKS |
|----------|-------------|-------------------------|----------------|----------|--|-----|-----------|------------------|
| | | | Q'TY | NCLUD NG | | | | |
| 1 | 91053 123 | CUTTER(A) | 1 | | | | | |
| 2 | 91054 116 | CUTTER(B) | 1 | | | | | |
| 3 | 11051 128 | CUTTER GUIDE | 1 | | | | | |
| 4 | 51090 122 | PROTECTOR | 1 | | | | | |
| 5 | 31029 105 | STEP BOLT (L) | 1 | | | | | |
| 6 | 31029 110 | STEP BOLT (S) | 4 | | | | | |
| 7 | 68002 101 | CUTTER WASHER | 5 | | | | | |
| 8 | 584L 0600 | U-HEXAGON NUT FLANGE | 5 | | | | | M6 |
| 9 | 51027 238 | HANDLE | 1 | | | | | |
| 10 | 31057 235 | BOLT | 2 | | | | | M5 × 20 (SW, PW) |
| 11 | 51022 171 | BRACKET | 1 | | | | | |
| 12 | 214B 5000 | O-RING | 1 | | | | | S50 |
| 13 | 11086 179 | STOPPER | 1 | | | | | |
| 14 | 477L 0408 | (+) TRUSS TAPPING SCREW | 2 | | | | | |
| 15 | 68013 326 | SPRING | 2 | | | | | |
| 16 | 423U 0515 | SOCKET SCREW FLANGE | 4 | | | | | |
| 17 | 11102 210 | HOLDER | 4 | | | | | |
| 18 | 68013 327 | SPRING | 2 | | | | | |
| 19 | 11102 209 | HOLDER | 4 | | | | | |
| 20 | 31038 102 | FIXING NUT | 2 | | | | | |
| 21 | 71014 368 | HANDLE ASS'Y | 1 | | | | | |
| 22 | 51106 127 | HANDLE R | | 1 | | | | |
| 23 | 51106 128 | HANDLE R | | 1 | | | | |
| 24 | 91010 190 | THROTTLE LEVER | | 1 | | | | |
| 25 | 36081 113 | LOCK LEVER | | 1 | | | | |