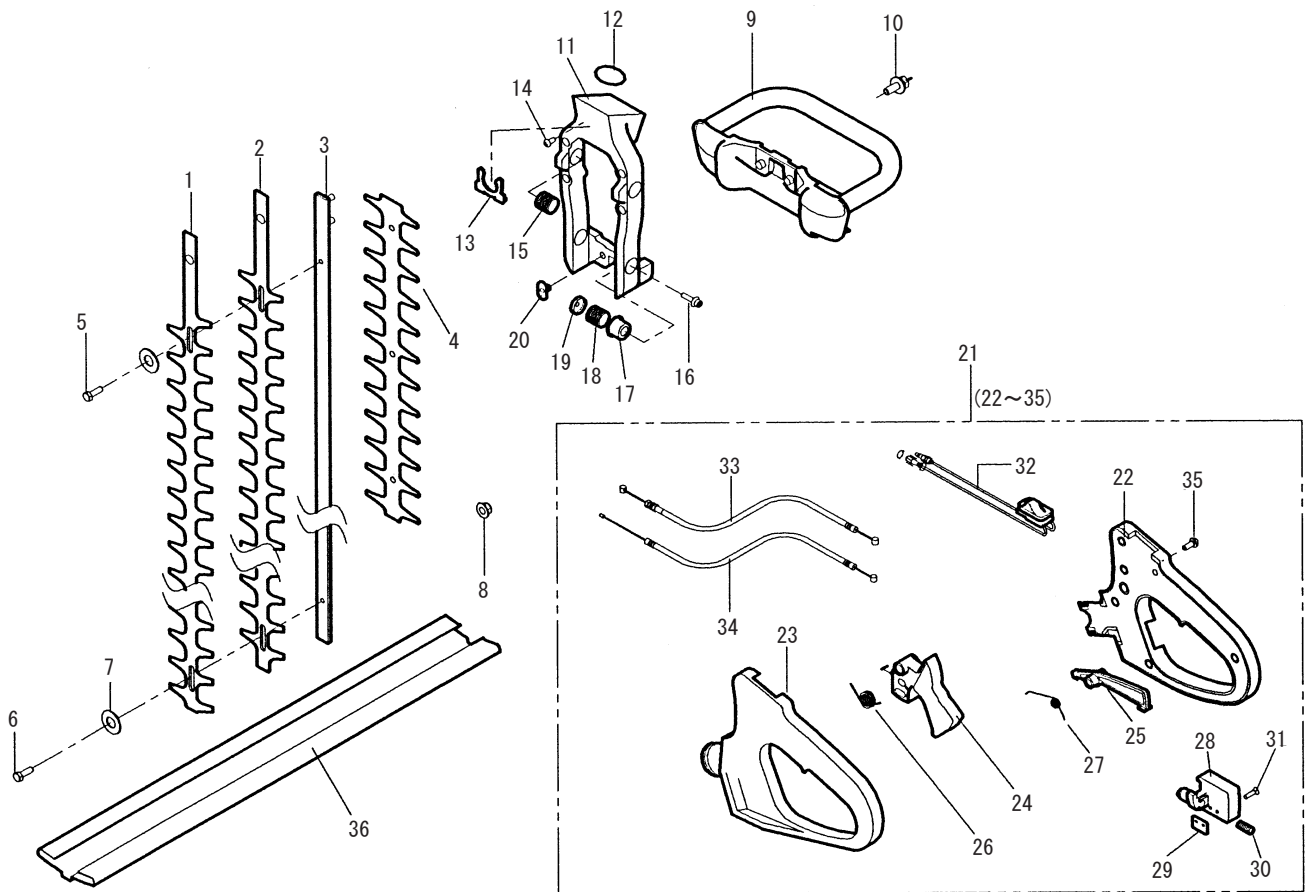


TM2600

CUTTER, HANDLE



PARTS LIST

REF. No.	PARTS No.	PARTS NAME	CUTTER, HANDLE		4/4	Jun, 2003	REMARKS
			Q'TY	NCLUD NG			
26	68013 321	SPRING	1				
27	68013 322	SPRING	1				
28	36061 142	KNOB	1				
29	11050 167	FIXING PLATE	1				
30	68013 323	SPRING	1				
31	465L 0310	(+) TAPPING SCREW	2				
32	71148 148	STOP SWITCH ASS'Y	1				
33	91057 108	BRAKE WIRE	1				
34	91001 310	THROTTLE WIRE	1				
35	471L 0420	(+) TAPPING SCREW	4				
36	36065 389	COVER	1				
37							
38							
39							
40							
41							
42							
43							
44							
45							
46							
47							
48							
49							
50							