

This catalog covers:
TJ027E-□C50

This fig. covers:
TITLE

PARTS CATALOG

2-STROKE ENGINE

TJ027E

PRODUCT CODE	NOTE
TJ027E-AC50	BRUSH-CUTTER (V260)
TJ027E-BC50	

PARTS CATALOG INTRODUCTION

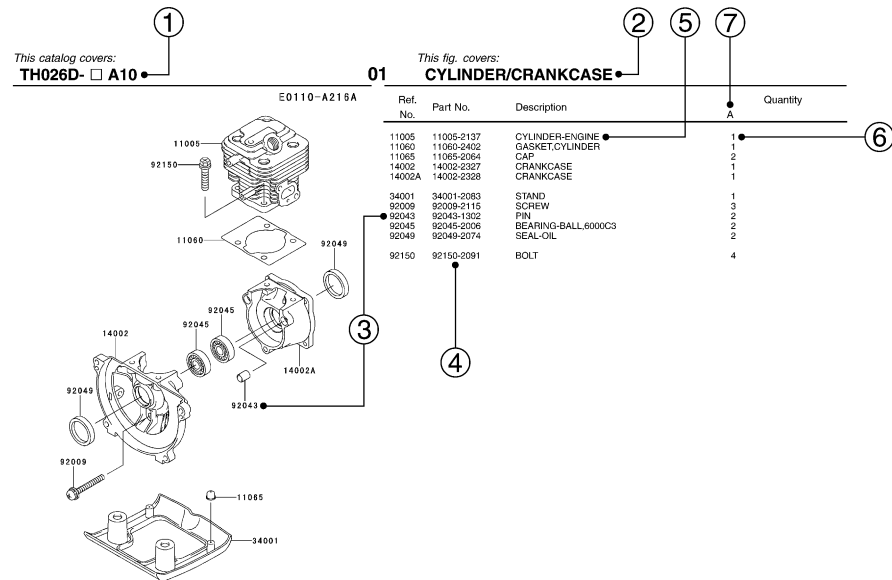
This parts catalog lists parts and sub-assemblies provided as service parts.

When it becomes necessary to replace parts, always use KAWASAKI GENUINE PARTS which have passed strict inspection which guarantees quality and performance.

1. HOW TO ORDER PARTS

- When ordering the parts, be sure to use the parts catalog corresponding to the product code. Check the product revision codes on the product and the catalog.
 Product Code (example) : FA130D-AA00
└──────────────────┘
 Product Revision Code
- Specify the part code (all digits) exactly as listed in this catalog on your parts order.
- The parts not shown in the illustrations of this catalog are not sold separately; only the complete units or next higher assemblies illustrated are supplied as the service parts.

2. EXPLANATION OF PARTS CATALOG FORMAT



1) Product Code

This code describes the product code covered by this catalog. The product revision code, which is a part of the product code, is omitted.

2) Part Group Title

This title is the representative name for the group of parts illustrated on the page.

3) Reference Number

The reference numbers are shown on the illustration and the list as the link between them.

4) Part Number

This is the key of your parts ordering.

Three kinds of part number are used in this catalog.

- Structure 1
 □□□□□□-□□□□-□□
 □□□□□□-□□□□□□
└──────────────────┘
 Part Revision Code
- Structure 2
 □□□□□□-□□□□□□-□□
└──────────────────┘
 Color Code for Painted Part
- Standard Hardware Number
 (for bolts, nuts, washer, or the like)
 □□□□□□□□
└──────────┘ Size Code
└──────────┘ Material and Surface Treatment Code
└──────────┘ Item Code

5) Description and Additional Information

The part name, the location, the size, and the serial number as additional information, etc. are described here. Use them to find out and check the part required.

When a part number is changed without change of the product revision code and the changed parts are not interchangeable, the serial number of the product is noted as follows;

- (- FA130 - 100001) : Affected units are from beginning of the product of the product code up to and including this serial number.
- (FA130 - 100002 -) : Affected units are from this serial number and above.
- (FA130 - 100002 - FA130 - 110001) : Affected units are in this serial number range.

6) Quantity

The figure shows quantity of the part required at the indicated position on the illustration and for the specified product revision code.

The asterisk (*) on this column means the part can be used as the substitute on the product and is supplied until the stock is exhausted.

Note:Some small parts will be supplied by units.

Example: If six (6) bolts are ordered and the minimum quantity per unit is five (5), two (2), units of the bolt will be delivered.

7) Product Revision Code

This Code indicates an important change which affects the service parts interchangeability.

3. ABBREVIATIONS

#.....Number	FR.....Front	RH.....Right Hand
&.....And	G.....Gram	RPM.....Revolutions Per Minute
(+).....Plus	HEX.....Hexagonal	RR.....Rear
(-).....Minus	ID=.....Inside Diameter	STD.....Standard
2ND.....Second	IN.....Inch	T.....Teeth
3RD.....Third	L=.....Length	T=.....Thickness
4TH.....Fourth	LH.....Left Hand	U/S.....Under Size
A.....Ampere	LWR.....Lower	UPP.....Upper
AR.....As Required	MM.....Millimeter	V.....Volt
ASSY.....Assembly	O/S.....Over Size	W.....Watt
CNT.....Center	OD=.....Outside Diameter	
COMP.....Complete	REF.....Reference	

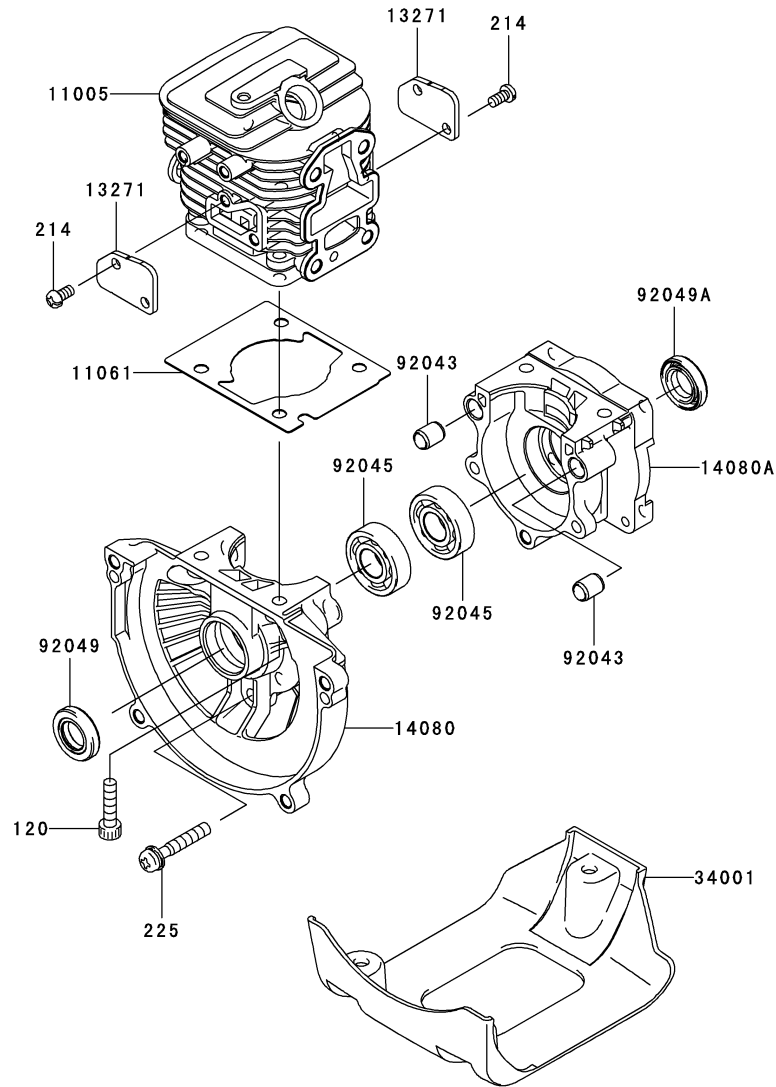
This catalog covers:

TJ027E- □ C50

This fig. covers:

01 CYLINDER/CRANKCASE

E0110-A571A



Ref. No.	Part No.	Description	Quantity	
			A	B
11005	11005-2162	CYLINDER-ENGINE	1	1
11061	11061-2169	GASKET,CYLINDER	1	1
13271	13271-2261	PLATE	2	2
14080	14080-2060	CRANKCASE	1	1
14080A	14080-2061	CRANKCASE	1	1
34001	34001-2088	STAND	1	1
92043	92043-1302	PIN	2	2
92045	92045-2278	BEARING-BALL,6001C3	2	2
92049	92049-2253	SEAL-OIL,ISCD12X22X4.5	1	1
92049A	92049-2267	SEAL-OIL,ISCD 12X22X4.5F	1	1
120	120CB0520	BOLT-SOCKET,5X20	4	4
214	214AA0408	SCREW-PAN+-,4X8	4	4
225	225AA0530	SCREW-PAN-WSP-CROS,5X30	3	3

This catalog covers:

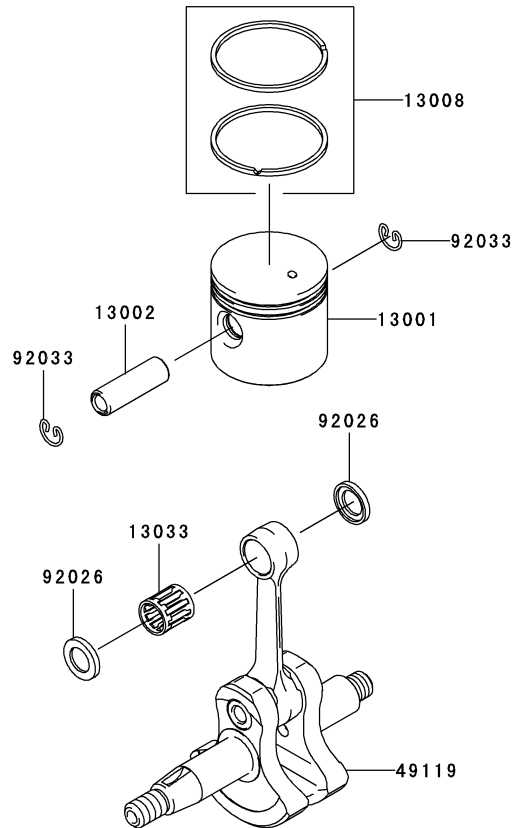
TJ027E- □ C50

02

This fig. covers:

PISTON/CRANKSHAFT

E0120-A364A



Ref. No.	Part No.	Description	Quantity	
			A	B
13001	13001-2173	PISTON-ENGINE	1	1
13002	13002-2058	PIN-PISTON	1	1
13008	13008-6046	RING-SET-PISTON	1	1
13033	13033-2064	BEARING-SMALL END	1	1
49119	49119-2230	CRANKSHAFT-ASSY	1	1
92026	92026-2354	SPACER	2	2
92033	92033-2191	RING-SNAP	2	2

This catalog covers:

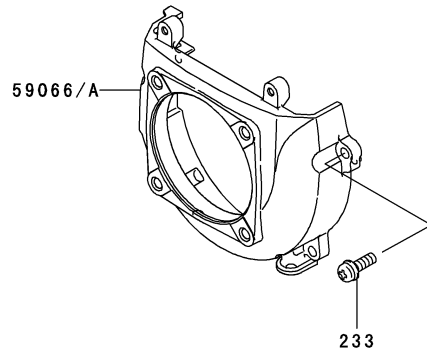
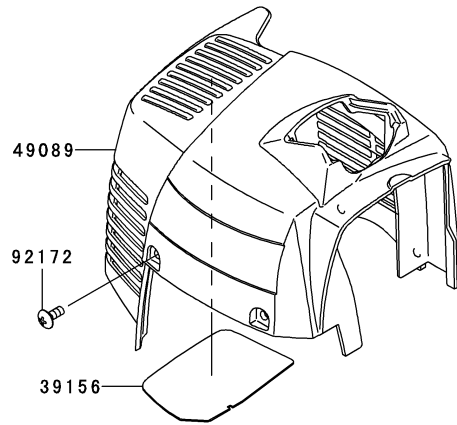
TJ027E- □ C50

03

This fig. covers:

COOLING-EQUIPMENT

E0150-A816B



Ref. No.	Part No.	Description	Quantity	
			A	B
39156	39156-2084	PAD	1	1
49089	49089-2653	SHROUD-ENGINE	1	1
59066	59066-2796	HOUSING-FAN		1
59066A	59066-2809-754	HOUSING-FAN	1	
92172	92172-2060	SCREW,4X10	2	2
233	233AA0516	SCREW-PAN-WP+,-5X16	4	4

This catalog covers:

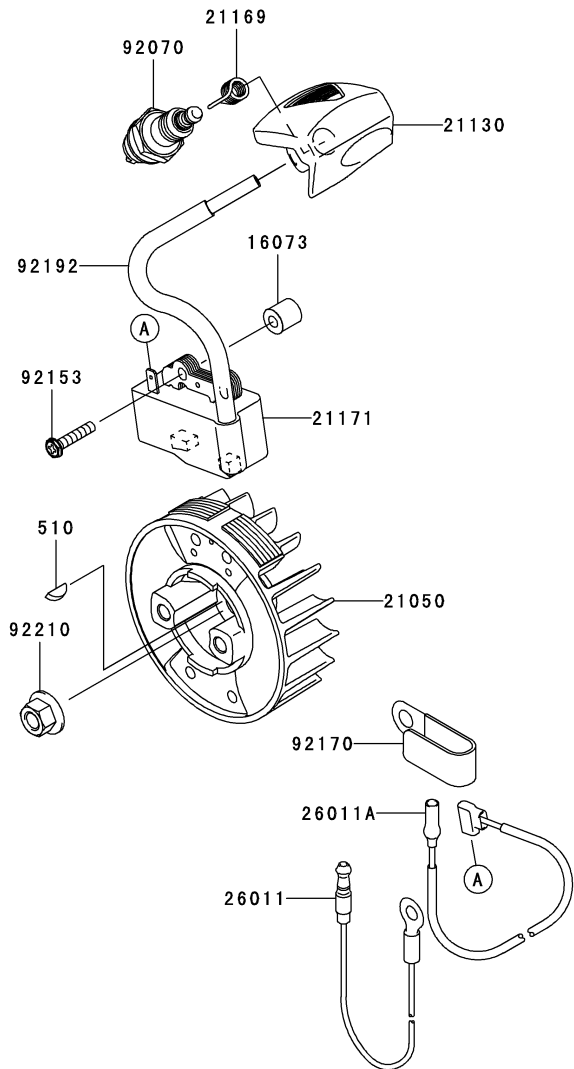
TJ027E- □ C50

04

This fig. covers:

ELECTRIC-EQUIPMENT

E0160-B179E



Ref. No.	Part No.	Description	Quantity	
			A	B
16073	16073-2220	INSULATOR	2	2
21050	21050-2316	FLYWHEEL	1	1
21130	21130-2071	CAP-SPARK PLUG	1	1
21169	21169-2075	TERMINAL	1	1
21171	21171-2256	COIL-ASSY-IGNITION	1	1
26011	26011-2113	WIRE-LEAD	1	1
26011A	26011-2361	WIRE-LEAD,L=230	1	1
92070	92070-2107	PLUG-SPARK,BPMR7A(NGK),SOLID	1	1
92153	92153-2134	BOLT,4X20	2	2
92170	92170-2041	CLAMP	1	1
92192	92192-2135	TUBE	1	1
92210	92210-2101	NUT,M8	1	1
510	510A3100	KEY-WOODRUFF	1	1

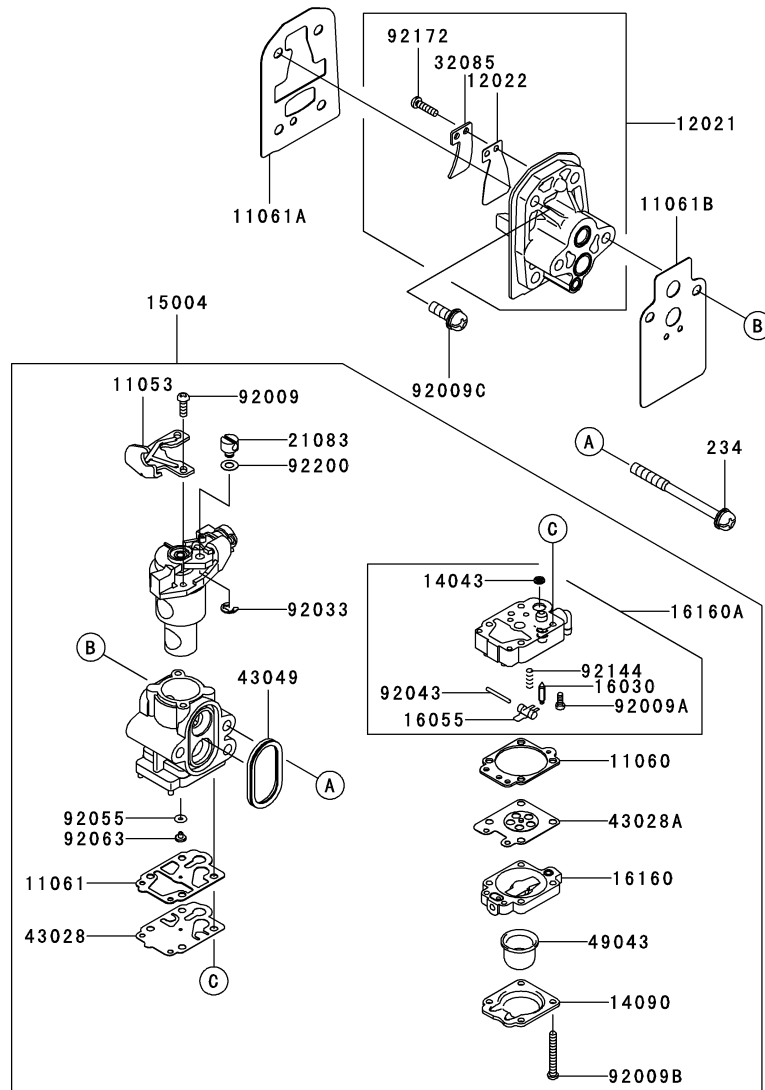
This catalog covers:

TJ027E- □ C50

This fig. covers:

05 CARBURETOR

E0180-A747A



Ref. No.	Part No.	Description	Quantity	
			A	B
11053	11053-2066	BRACKET	1	1
11060	11060-2111	GASKET	1	1
11061	11061-2054	GASKET	1	1
11061A	11061-2171	GASKET,CYLINDER-INSULATOR	1	1
11061B	11061-2184	GASKET,CARBURETOR-INSULATOR	1	1
12021	12021-2054	VALVE-ASSY-REED	1	1
12022	12022-2060	VALVE-REED	1	1
14043	14043-2051	FILTER	1	1
14090	14090-2017	COVER,PRIMER PUMP	1	1
15004	15004-2056	CARBURETOR-ASSY	1	1
16030	16030-2078	VALVE-FLOAT	1	1
16055	16055-2051	LEVER	1	1
16160	16160-2089	BODY	1	1
16160A	16160-2141	BODY	1	1
21083	21083-2073	ARM	1	1
32085	32085-2106	STOPPER	1	1
43028	43028-2067	DIAPHRAGM	1	1
43028A	43028-2096	DIAPHRAGM	1	1
43049	43049-2062	PACKING	1	1
49043	49043-2067	PUMP-PRIMING	1	1
92009	92009-2277	SCREW	2	2
92009A	92009-2336	SCREW	1	1
92009B	92009-2337	SCREW	4	4
92009C	92009-2395	SCREW,5X16	4	4
92033	92033-2078	RING-SNAP	1	1
92043	92043-2094	PIN	1	1
92055	92055-2147	RING-O	1	1
92063	92063-2393	JET-MAIN,#37	1	1
92144	92144-2308	SPRING	1	1
92172	92172-2091	SCREW,3X12	1	1
92200	92200-2074	WASHER	1	1
234	234AA0560	SCREW-PAN-WSP+,5X60	2	2

This catalog covers:

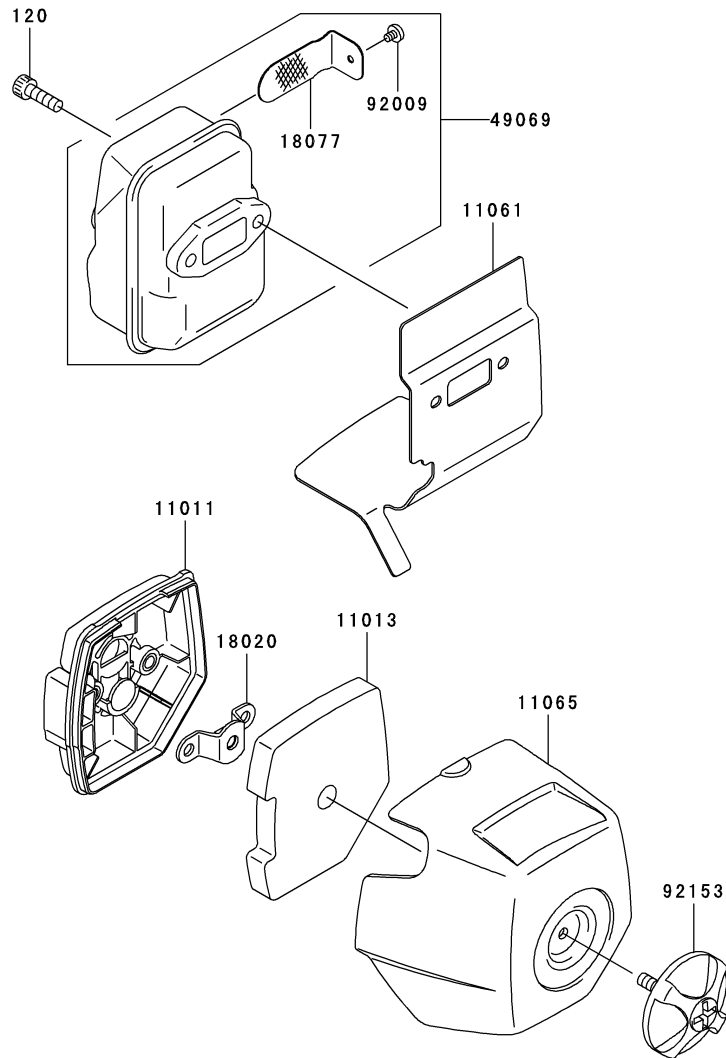
TJ027E- □ C50

06

This fig. covers:

AIR-FILTER/MUFFLER

E0190-B001B



Ref. No.	Part No.	Description	Quantity	
			A	B
11011	11011-2361	CASE-AIR FILTER	1	1
11013	11013-2224	ELEMENT-AIR FILTER	1	1
11061	11061-2185	GASKET,MUFFLER	1	1
11065	11065-2128	CAP	1	1
18020	18020-2091	BAFFLE	1	1
18077	18077-2136	ARRESTER-SPARK	1	1
49069	49069-2429	MUFFLER-ASSY	1	1
92009	92009-2411	SCREW	1	1
92153	92153-2128	BOLT	1	1
120	120CB0516	BOLT-SOCKET,5X16	2	2

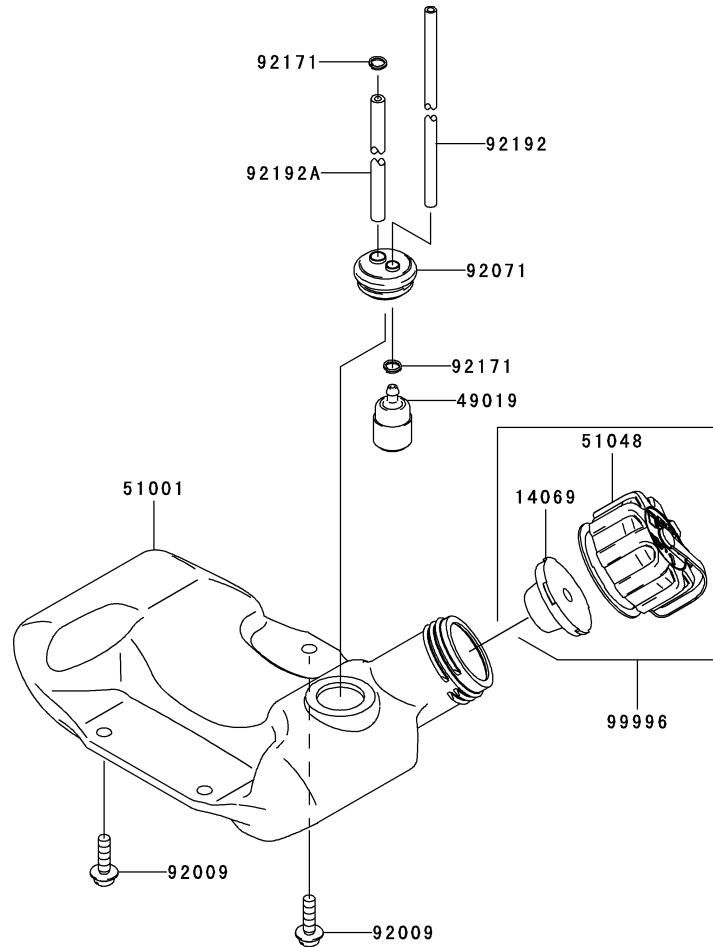
This catalog covers:

TJ027E- □ C50

This fig. covers:

07 FUEL-TANK/FUEL-VALVE

E0200-A629A



Ref. No.	Part No.	Description	Quantity	
			A	B
14069	14069-2088	BREATHER	1	1
49019	49019-2114	FILTER-FUEL	1	1
51001	51001-2323	TANK-COMP-FUEL	1	1
51048	51048-2083	CAP-ASSY-TANK	1	1
92009	92009-2383	SCREW,5X20	3	3
92071	92071-2142	GROMMET,FUEL TANK	1	1
92171	92171-2073	CLAMP	2	2
92192	92192-2130	TUBE,3X5X174	1	1
92192A	92192-2152	TUBE,3X6X80	1	1
99996	99996-6089	CAP-TANK & BREATHER,ASSY	1	1

This catalog covers:

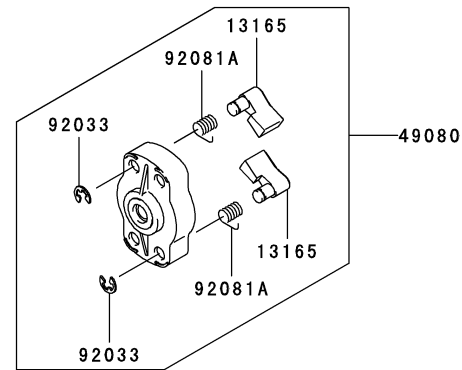
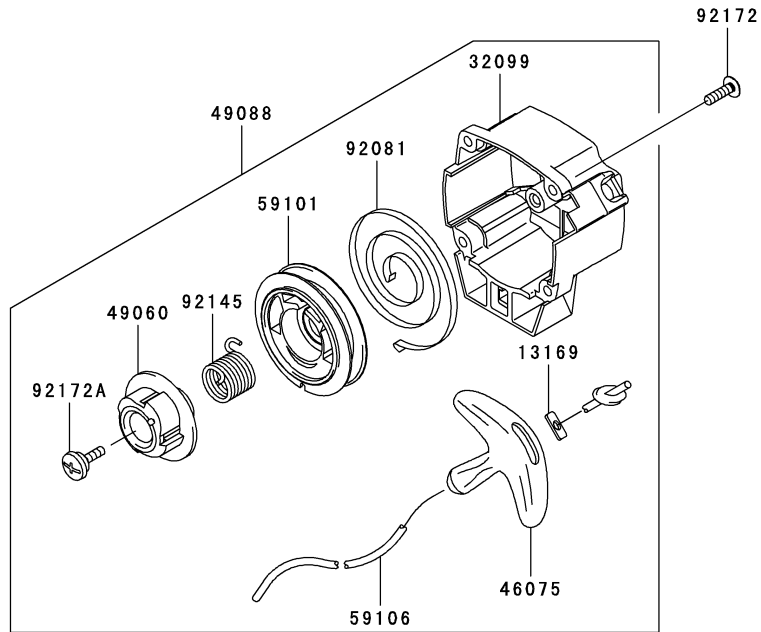
TJ027E- □ C50

08

This fig. covers:

STARTER

E0210-A421A



Ref. No.	Part No.	Description	Quantity	
			A	B
13165	13165-2100	PAWL	2	2
13169	13169-2386	PLATE,RECOIL STARTER	1	1
32099	32099-2417	CASE,STARTER-RECOIL	1	1
46075	46075-2159	GRIP,STARTER-RECOIL	1	1
49060	49060-2066	CAM,STARTER-RECOIL	1	1
49080	49080-2195	PULLEY-STARTING	1	1
49088	49088-2570	STARTER-RECOIL	1	1
59101	59101-2126	REEL,STARTER-RECOIL	1	1
59106	59106-2168	ROPE,3X700	1	1
92033	92033-2010	RING-SNAP	2	2
92081	92081-2238	SPRING,RECOIL	1	1
92081A	92081-2253	SPRING	2	2
92145	92145-2172	SPRING,RECOIL	1	1
92172	92172-2061	SCREW,4X14	4	4
92172A	92172-2065	SCREW	1	1

This catalog covers:

TJ027E- □ C50

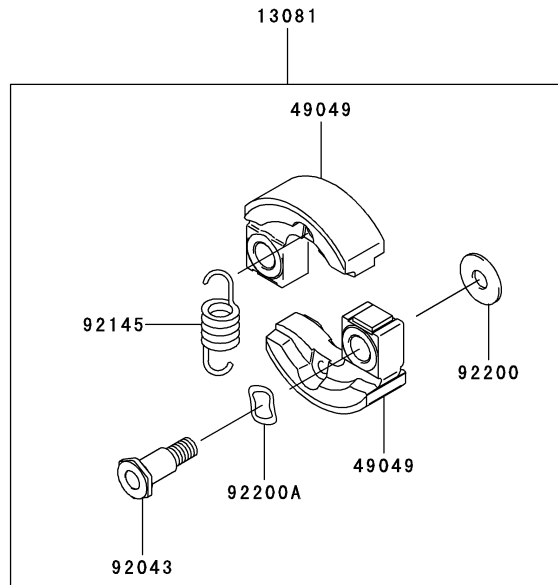
09

This fig. covers:

P.T.O-EQUIPMENT

E0220-A039A

Ref. No.	Part No.	Description	Quantity	
			A	B
13081	13081-2232	CLUTCH-ASSY	1	1
49049	49049-2101	SHOE-CLUTCH	2	2
92043	92043-2243	PIN	2	2
92145	92145-2129	SPRING	1	1
92200	92200-2145	WASHER,6X16X1	2	2
92200A	92200-2146	WASHER	2	2



This catalog covers:

TJ027E- □ C50

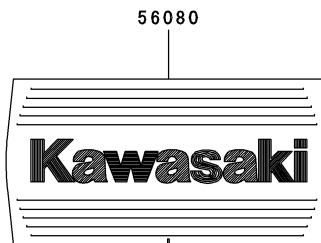
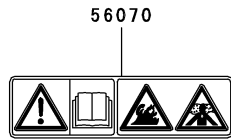
10

This fig. covers:

LABEL

F0290-B421A

Ref. No.	Part No.	Description	Quantity	
			A	B
56039	56039-2966	LABEL-PRODUCT	1	1
56070	56070-2020	LABEL-WARNING	1	1
56080	56080-2414	LABEL-BRAND	1	1



This catalog covers:

TJ027E- □ C50

This fig. covers:

PART NAME INDEX

AIR-FILTER/MUFFLER.....	06
CARBURETOR.....	05
COOLING-EQUIPMENT.....	03
CYLINDER/CRANKCASE	01
ELECTRIC-EQUIPMENT.....	04
FUEL-TANK/FUEL-VALVE.....	07
LABEL.....	10
P.T.O-EQUIPMENT.....	09
PISTON/CRANKSHAFT	02
STARTER.....	08

