

This catalog covers:
TH048D-□C62

This fig. covers:
TITLE

PARTS CATALOG

2-STROKE ENGINE

TH048D

PRODUCT CODE	NOTE
TH048D-AC62	BRUSH-CUTTER

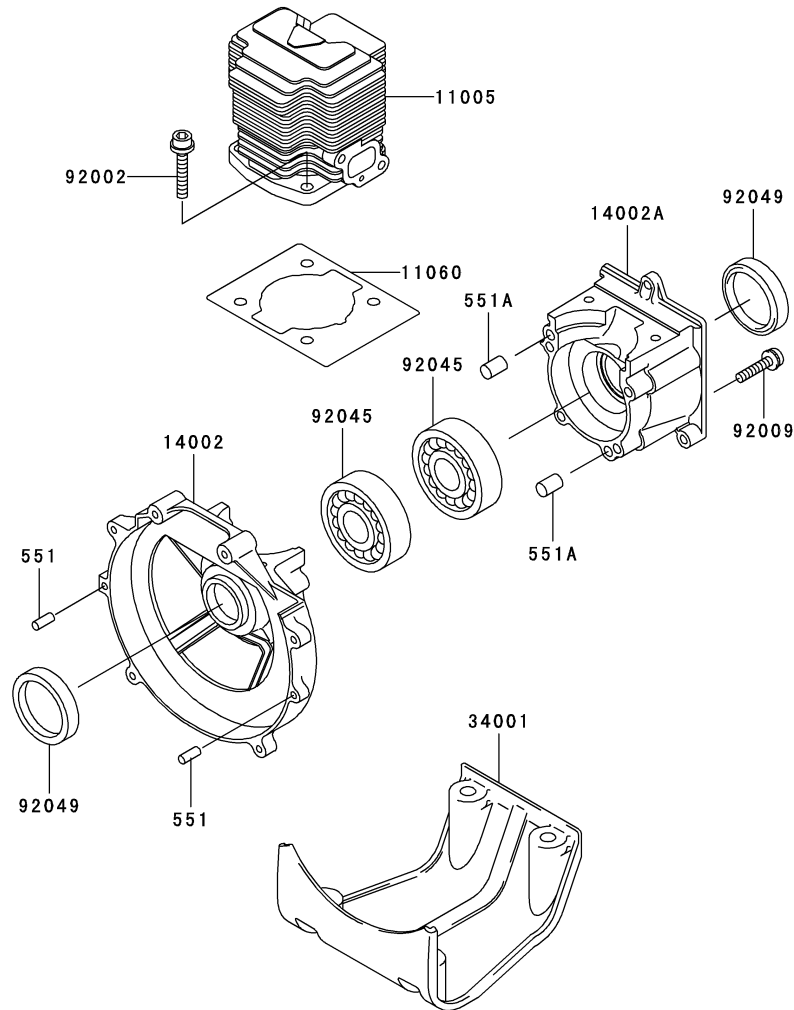
This catalog covers:

TH048D- □ C62

This fig. covers:

01 CYLINDER/CRANKCASE

E0110-A060A



Ref. No.	Part No.	Description	Quantity
11005	11005-2123	CYLINDER-ENGINE	1
11060	11060-2296	GASKET,CYLINDER	1
14002	14002-2316	CRANKCASE	1
14002A	14002-2317	CRANKCASE	1
34001	34001-2082	STAND	1
92002	92002-2150	BOLT	4
92009	92009-2115	SCREW	4
92045	92045-2005	BEARING-BALL,6202C3	2
92049	92049-2206	SEAL-OIL	2
551	551A0410	PIN-DOWEL,4X10	2
551A	551A0610	PIN-DOWEL,6X10	2

This catalog covers:

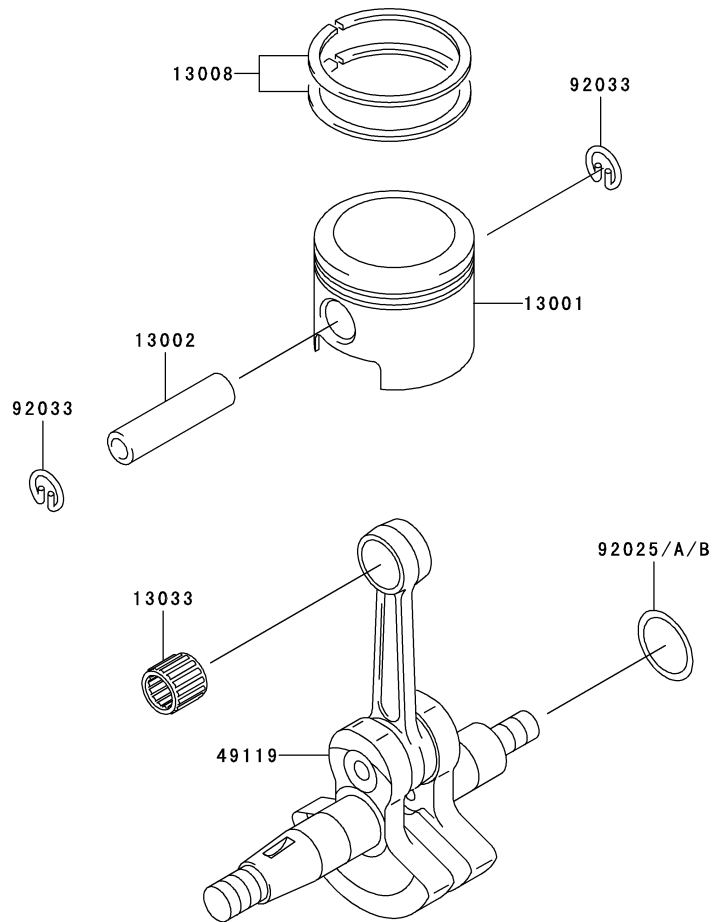
TH048D- □ C62

02

This fig. covers:

PISTON/CRANKSHAFT

E0120-A054C



Ref. No.	Part No.	Description	Quantity
13001	13001-2141	PISTON-ENGINE	1
13002	13002-2067	PIN-PISTON	1
13008	13008-6044	RING-SET-PISTON	1
13033	13033-2061	BEARING-SMALL END	1
49119	49119-2173	CRANKSHAFT-ASSY	1
92025	92025-2135	SHIM,T=0.20	AR
92025A	92025-2136	SHIM,T=0.40	AR
92025B	92025-2137	SHIM,T=0.60	AR
92033	92033-2058	RING-SNAP	2

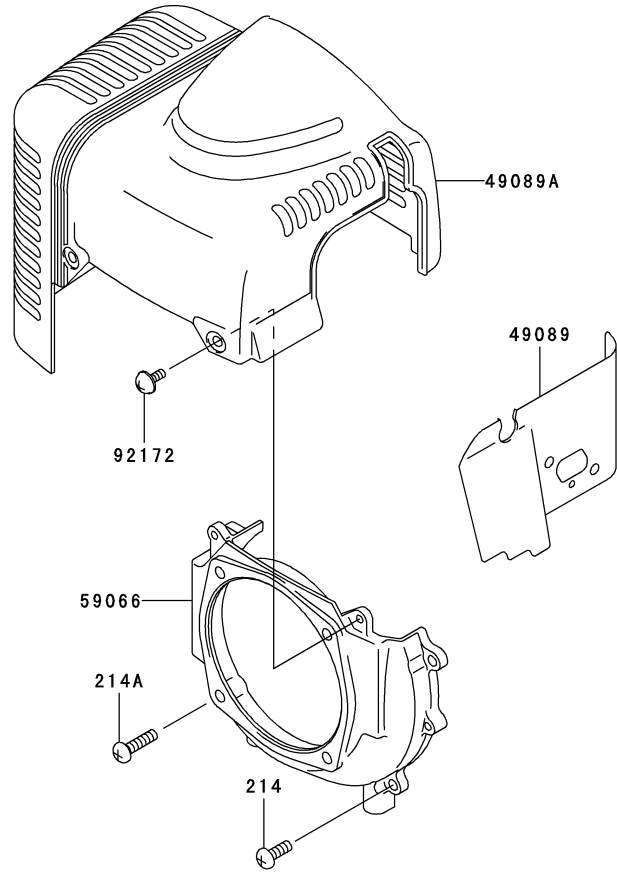
This catalog covers:

TH048D- □ C62

This fig. covers:

03 COOLING-EQUIPMENT

E0150-A334E



Ref. No.	Part No.	Description	Quantity
49089	49089-2386	SHROUD-ENGINE	1
49089A	49089-2553	SHROUD-ENGINE	1
59066	59066-2794	HOUSING-FAN	1
92172	92172-2060	SCREW,4X10	2
214	214B0514	SCREW-PAN+-.5X14	3
214A	214B0520	SCREW-PAN+-.5X20	1

This catalog covers:

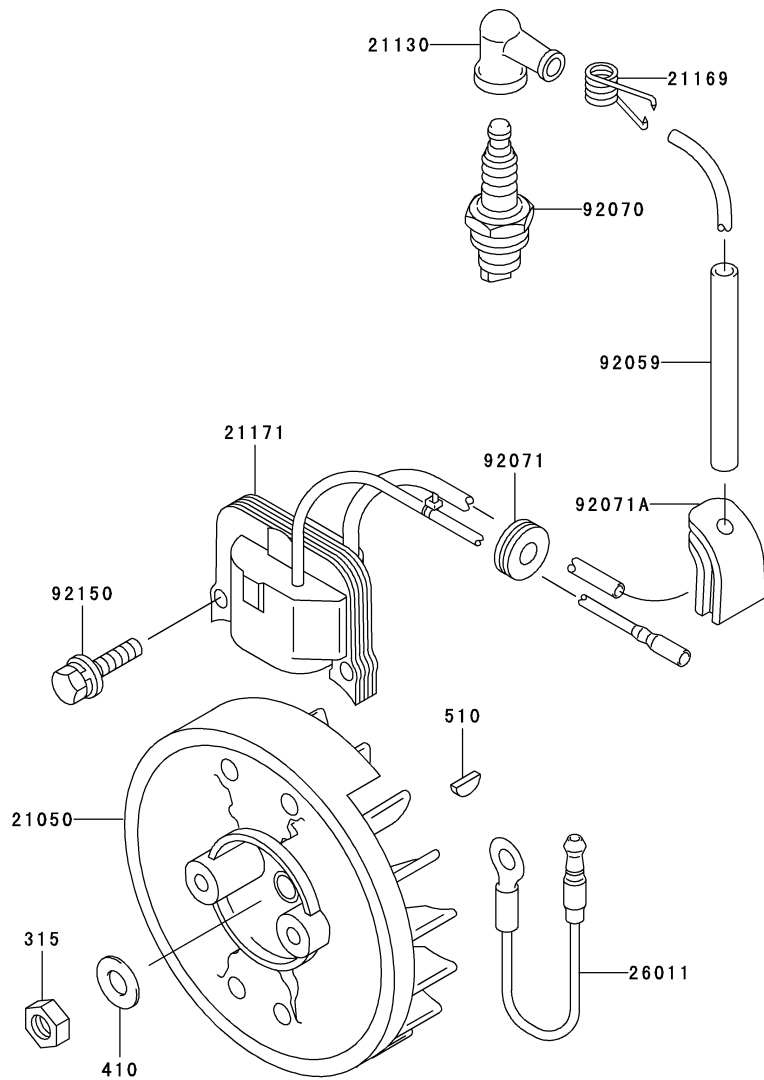
TH048D- □ C62

04

This fig. covers:

ELECTRIC-EQUIPMENT

E0160-A959A



Ref. No.	Part No.	Description	Quantity
21050	21050-2240	FLYWHEEL	1
21130	21130-2056	CAP-SPARK PLUG	1
21169	21169-2051	TERMINAL	1
21171	21171-2195	COIL-ASSY-IGNITION	1
26011	26011-2113	WIRE-LEAD	1
92059	92059-2103	TUBE,6X7.4X108	1
92070	92070-2060	PLUG-SPARK,BMR6A(NGK),SOLID	1
92071	92071-2097	GROMMET	1
92071A	92071-2143	GROMMET,IGNITION COIL	1
92150	92150-2182	BOLT,5X18	2
315	315B1000	NUT-HEX-FINE,10MM	1
410	410B1000	W-PLAIN-S,10MM	1
510	510A3100	KEY-WOODRUFF	1

This catalog covers:

TH048D- □ C62

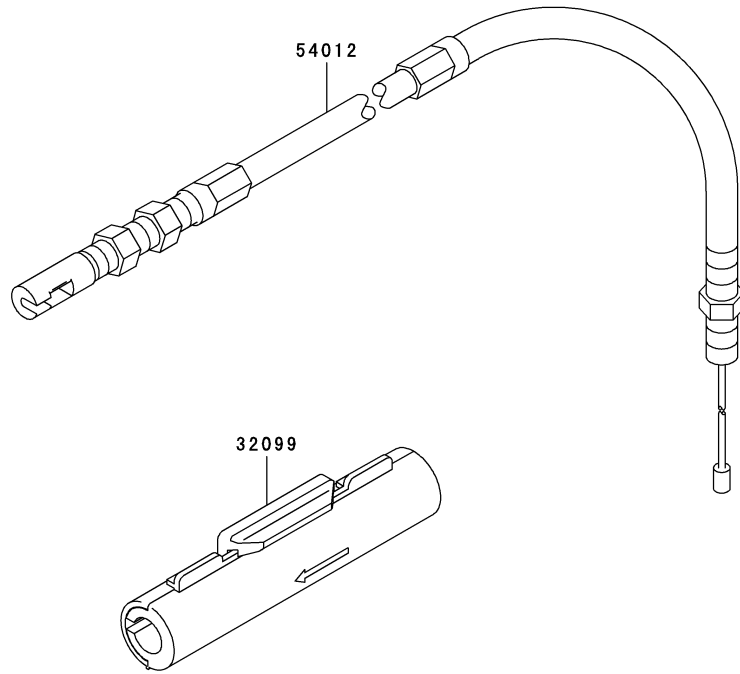
05

This fig. covers:

CONTROL-EQUIPMENT

E0170-A228A

Ref. No.	Part No.	Description	Quantity
32099	32099-2326	CASE	1
54012	54012-2342	CABLE-THROTTLE	1



This catalog covers:

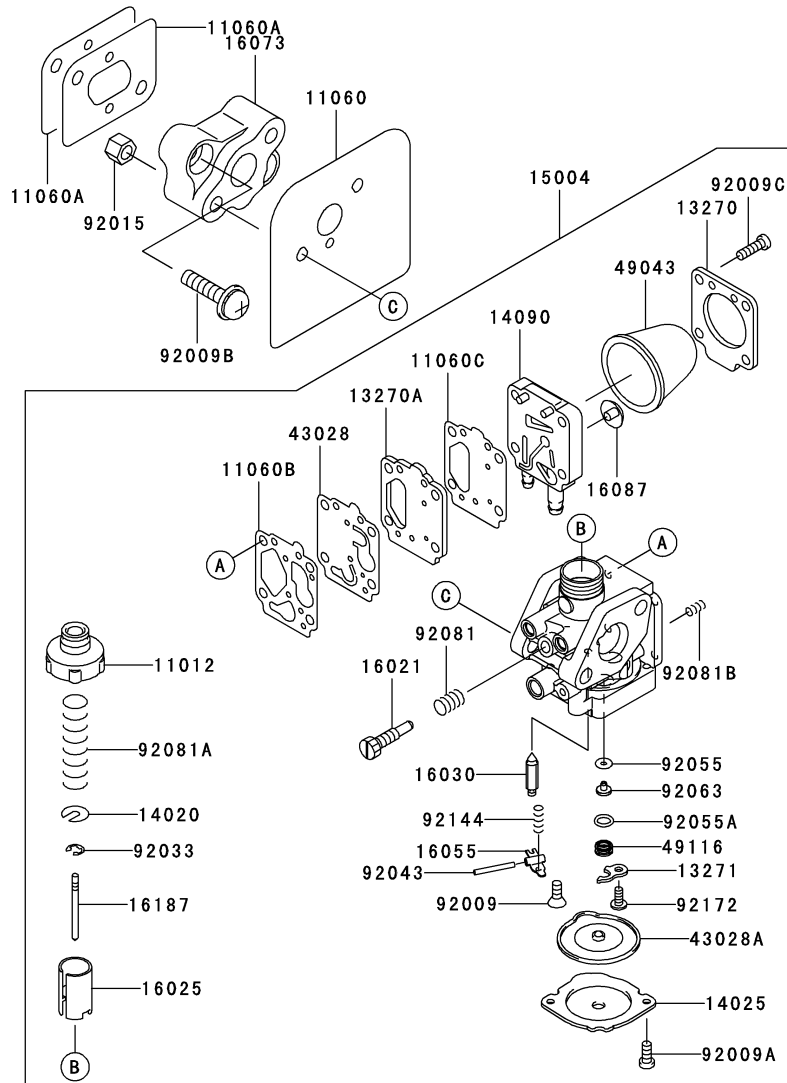
TH048D- □ C62

06

This fig. covers:

CARBURETOR

E0180-A604F



Ref. No.	Part No.	Description	Quantity
11012	11012-2185	CAP,BODY	1
11060	11060-2298	GASKET,CARBURETOR	1
11060A	11060-2299	GASKET,INSULATOR	2
11060B	11060-2305	GASKET	1
11060C	11060-2306	GASKET	1
13270	13270-2014	PLATE	1
13270A	13270-2015	PLATE	1
13271	13271-2247	PLATE	1
14020	14020-2009	RETAINER,VALVE	1
14025	14025-2027	COVER	1
14090	14090-2060	COVER	1
15004	15004-2028	CARBURETOR-ASSY	1
16021	16021-2008	SCREW-THROTTLE STOP	1
16025	16025-2173	VALVE-THROTTLE	1
16030	16030-2087	VALVE-FLOAT	1
16055	13168-2118	ARM-FLOAT	1
16073	16073-2176	INSULATOR	1
16087	16087-2059	VALVE-CHECK	1
16187	16187-2056	NEEDLE-JET	1
43028	43028-2082	DIAPHRAGM	1
43028A	43028-2093	DIAPHRAGM	1
49043	49043-2071	PUMP-PRIMING	1
49116	49116-2066	VALVE-ASSY	1
92009	92009-2053	SCREW	1
92009A	92009-2061	SCREW	2
92009B	92009-2249	SCREW,5X20	2
92009C	92009-2361	SCREW,3X14	4
92015	92015-2097	NUT,M5	2
92033	92033-2070	RING-SNAP	1
92043	92043-2099	PIN	1
92055	92055-2077	RING-O	1
92055A	92055-2207	RING-O	1
92063	92063-2476	JET-MAIN,#56	1
92081	92081-2245	SPRING	1
92081A	92081-2272	SPRING	1
92081B	92081-2340	SPRING	1
92144	92144-2009	SPRING	1
92172	92172-2086	SCREW	1

This catalog covers:

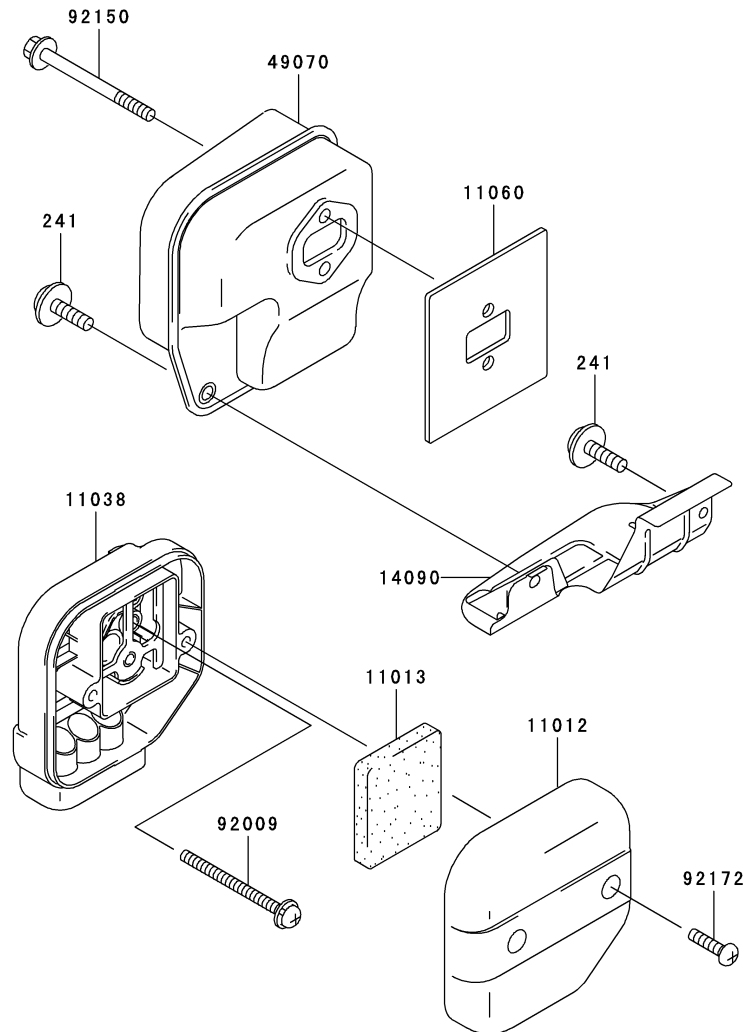
TH048D- □ C62

07

This fig. covers:

AIR-FILTER/MUFFLER

E0190-A766A



Ref. No.	Part No.	Description	Quantity
11012	11012-2349	CAP,AIR FILTER	1
11013	11013-2081	ELEMENT-AIR FILTER	1
11038	11038-2055	CASE-ASSY-AIR FILTER	1
11060	11060-2297	GASKET,MUFFLER	1
14090	14090-2059	COVER,MUFFLER	1
49070	49070-2630	MUFFLER-COMP	1
92009	92009-2449	SCREW,5X55	2
92150	92150-2180	BOLT,6X65	2
92172	92172-2062	SCREW	2
241	241B0512	SCREW-PAN-WP+,5X12	2

This catalog covers:

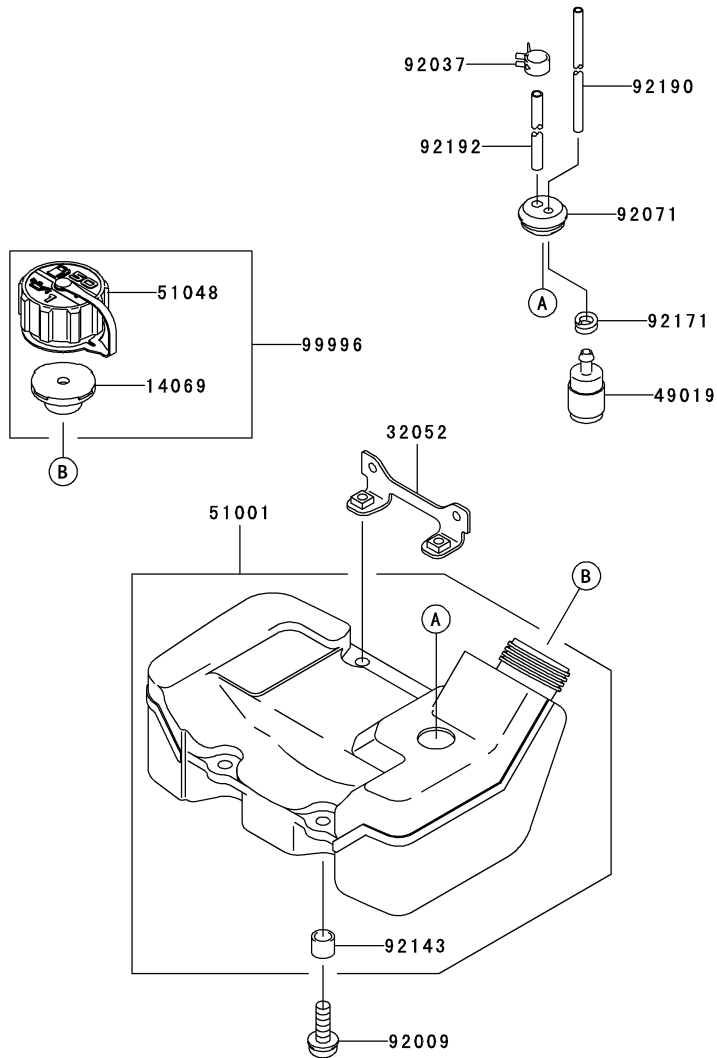
TH048D- □ C62

08

This fig. covers:

FUEL-TANK/FUEL-VALVE

E0200-A616A



Ref. No.	Part No.	Description	Quantity
14069	14069-2088	BREATHER	1
32052	32052-2215	BRACKET-TANK	1
49019	49019-2114	FILTER-FUEL	1
51001	51001-2268	TANK-COMP-FUEL	1
51048	51048-2078	CAP-ASSY-TANK	1
92009	92009-2383	SCREW,5X20	4
92037	92037-2139	CLAMP	1
92071	92071-2142	GROMMET,FUEL TANK	1
92143	92143-2162	COLLAR	4
92171	92171-2073	CLAMP	1
92190	92190-2157	TUBE,3X5X200	1
92192	92192-2149	TUBE,3X6X105	1
99996	99996-6088	CAP-TANK & BREATHER,ASSY	1

This catalog covers:

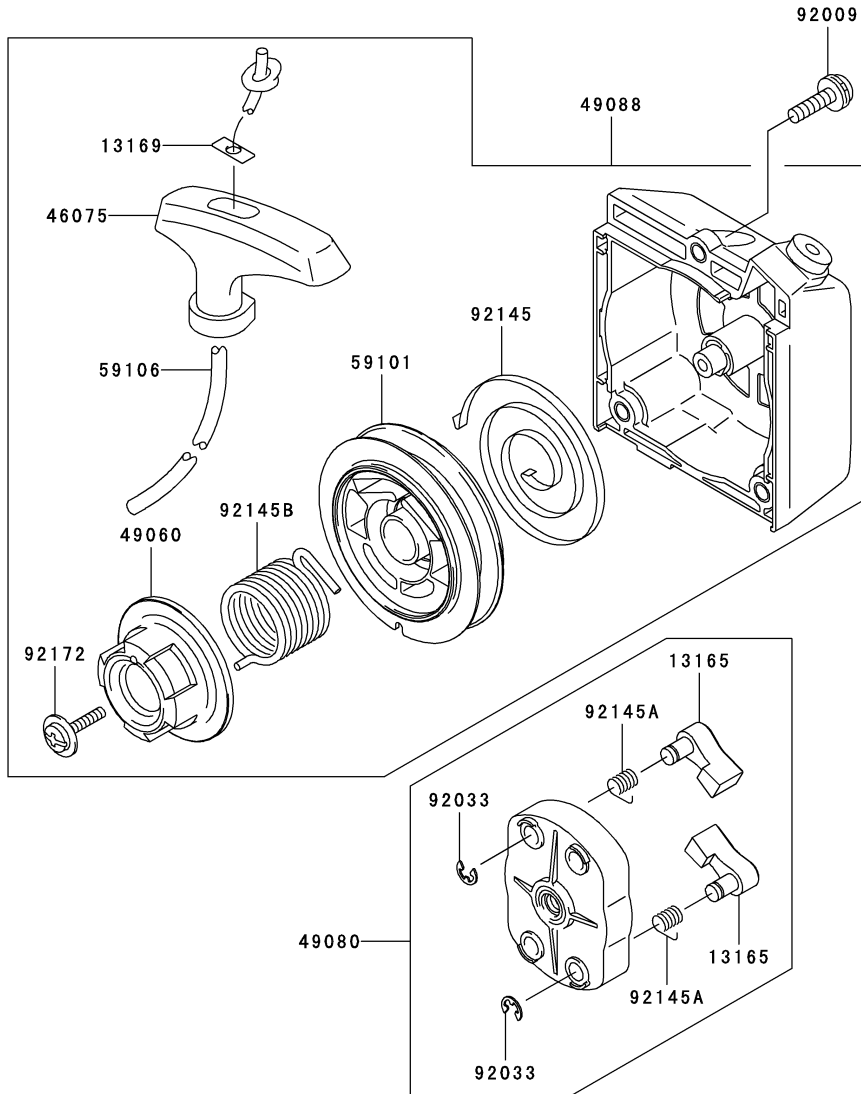
TH048D- □ C62

09

This fig. covers:

STARTER

E0210-A350A



Ref. No.	Part No.	Description	Quantity
13165	13165-2103	PAWL	2
13169	13169-2386	PLATE, RECOIL STARTER	1
46075	46075-2067	GRIP, RECOIL STARTER	1
49060	49060-2063	CAM, STARTER-RECOIL	1
49080	49080-2200	PULLEY-STARTING	1
49088	49088-2544	STARTER-RECOIL	1
59101	59101-2120	REEL, STARTER-RECOIL	1
59106	59106-2064	ROPE, 3.8X950	1
92009	92009-2249	SCREW, 5X20	3
92033	92033-2010	RING-SNAP	2
92145	92145-2112	SPRING, SPIRAL	1
92145A	92145-2148	SPRING	2
92145B	92145-2150	SPRING	1
92172	92172-2052	SCREW	1

This catalog covers:

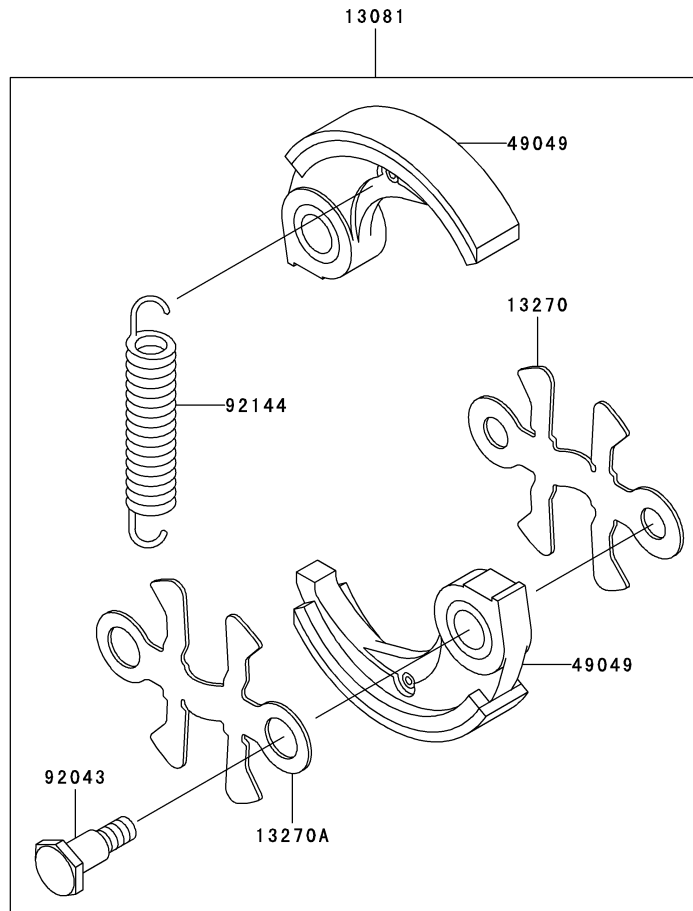
TH048D- □ C62

10

This fig. covers:

P.T.O-EQUIPMENT

E0220-A017A



Ref. No.	Part No.	Description	Quantity
13081	13081-2224	CLUTCH-ASSY	1
13270	13270-2118	PLATE	1
13270A	13270-2119	PLATE	1
49049	49049-2098	SHOE-CLUTCH	2
92043	92043-2210	PIN,CLUTCH	2
92144	92144-2373	SPRING	1

This catalog covers:

TH048D- □ C62

11

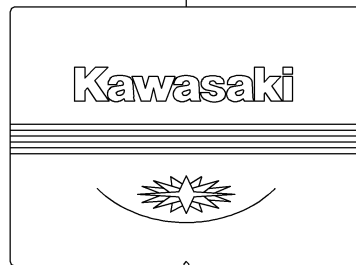
This fig. covers:

LABEL

F0290-A343A

Ref. No.	Part No.	Description	Quantity
56038	56038-2894	LABEL-BRAND	1
56070	56070-2020	LABEL-WARNING	1

56038



56070



This catalog covers:

TH048D- □ C62

This fig. covers:

PART NAME INDEX

AIR-FILTER/MUFFLER.....	07
CARBURETOR.....	06
CONTROL-EQUIPMENT.....	05
COOLING-EQUIPMENT.....	03
CYLINDER/CRANKCASE	01
ELECTRIC-EQUIPMENT.....	04
FUEL-TANK/FUEL-VALVE.....	08
LABEL.....	11
P.T.O-EQUIPMENT.....	10
PISTON/CRANKSHAFT	02
STARTER.....	09

This catalog covers:

TH048D- □ C62

This fig. covers:

NUMERICAL PARTS INDEX

Part No.	Fig No.	Part No.	Fig No.	Part No.	Fig No.	Part No.	Fig No.	Part No.	Fig No.
11005-2123.....	01	49088-2544.....	09	92172-2086.....	06				
11012-2185.....	06	49089-2386.....	03	92190-2157.....	08				
11012-2349.....	07	49089-2553.....	03	92192-2149.....	08				
11013-2081.....	07	49116-2066.....	06	99996-6088.....	08				
11038-2055.....	07	49119-2173.....	02						
11060-2296.....	01	51001-2268.....	08						
11060-2297.....	07	51048-2078.....	08						
11060-2298.....	06	510A3100.....	04						
11060-2299.....	06	54012-2342.....	05						
11060-2305.....	06	551A0410.....	01						
11060-2306.....	06	551A0610.....	01						
13001-2141.....	02	56038-2894.....	11						
13002-2067.....	02	56070-2020.....	11						
13008-6044.....	02	59066-2794.....	03						
13033-2061.....	02	59101-2120.....	09						
13081-2224.....	10	59106-2064.....	09						
13165-2103.....	09	92002-2150.....	01						
13168-2118.....	06	92009-2053.....	06						
13169-2386.....	09	92009-2061.....	06						
13270-2014.....	06	92009-2115.....	01						
13270-2015.....	06	92009-2249.....	06						
13270-2118.....	10	92009-2249.....	09						
13270-2119.....	10	92009-2361.....	06						
13271-2247.....	06	92009-2383.....	08						
14002-2316.....	01	92009-2449.....	07						
14002-2317.....	01	92015-2097.....	06						
14020-2009.....	06	92025-2135.....	02						
14025-2027.....	06	92025-2136.....	02						
14069-2088.....	08	92025-2137.....	02						
14090-2059.....	07	92033-2010.....	09						
14090-2060.....	06	92033-2058.....	02						
15004-2028.....	06	92033-2070.....	06						
16021-2008.....	06	92037-2139.....	08						
16025-2173.....	06	92043-2099.....	06						
16030-2087.....	06	92043-2210.....	10						
16073-2176.....	06	92045-2005.....	01						
16087-2059.....	06	92049-2206.....	01						
16187-2056.....	06	92055-2077.....	06						
21050-2240.....	04	92055-2207.....	06						
21130-2056.....	04	92059-2103.....	04						
21169-2051.....	04	92063-2476.....	06						
21171-2195.....	04	92070-2060.....	04						
214B0514.....	03	92071-2097.....	04						
214B0520.....	03	92071-2142.....	08						
241B0512.....	07	92071-2143.....	04						
26011-2113.....	04	92081-2245.....	06						
315B1000.....	04	92081-2272.....	06						
32052-2215.....	08	92081-2340.....	06						
32099-2326.....	05	92143-2162.....	08						
34001-2082.....	01	92144-2009.....	06						
410B1000.....	04	92144-2373.....	10						
43028-2082.....	06	92145-2112.....	09						
43028-2093.....	06	92145-2148.....	09						
46075-2067.....	09	92145-2150.....	09						
49019-2114.....	08	92150-2180.....	07						
49043-2071.....	06	92150-2182.....	04						
49049-2098.....	10	92171-2073.....	08						
49060-2063.....	09	92172-2052.....	09						
49070-2630.....	07	92172-2060.....	03						
49080-2200.....	09	92172-2062.....	07						