

This catalog covers:
TH043D-□C52

This fig. covers:
TITLE

PARTS CATALOG

2-STROKE ENGINE

TH043D

PRODUCT CODE	NOTE
TH043D-AC52	BRUSH-CUTTER (V430)
TH043D-BC52	
TH043D-CC52	

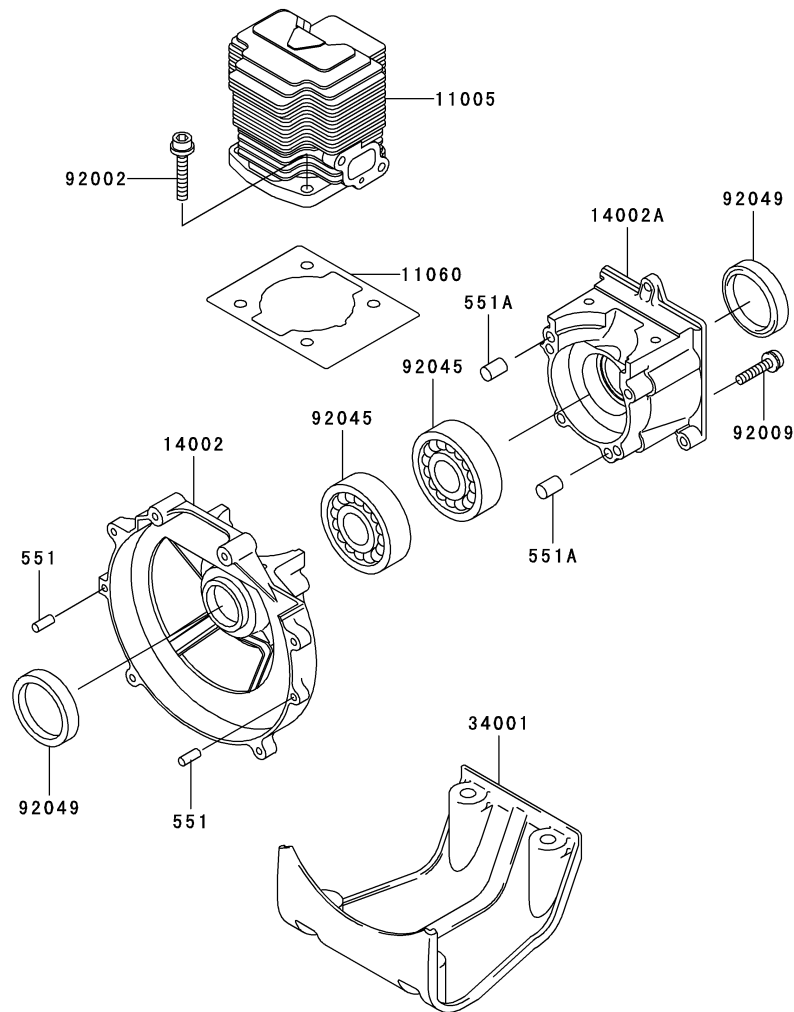
This catalog covers:

TH043D- □ C52

This fig. covers:

01 CYLINDER/CRANKCASE

E0110-A060A



Ref. No.	Part No.	Description	Quantity		
			A	B	C
11005	11005-2122	CYLINDER-ENGINE	1	1	1
11060	11060-2296	GASKET,CYLINDER	1	1	1
14002	14002-2316	CRANKCASE	1	1	1
14002A	14002-2317	CRANKCASE	1	1	1
34001	34001-2082	STAND	1	1	1
92002	92002-2150	BOLT	4	4	4
92009	92009-2115	SCREW	4	4	4
92045	92045-2005	BEARING-BALL,6202C3	2	2	2
92049	92049-2206	SEAL-OIL	2	2	2
551	551A0410	PIN-DOWEL	2	2	2
551A	551A0610	PIN-DOWEL	2	2	2

This catalog covers:

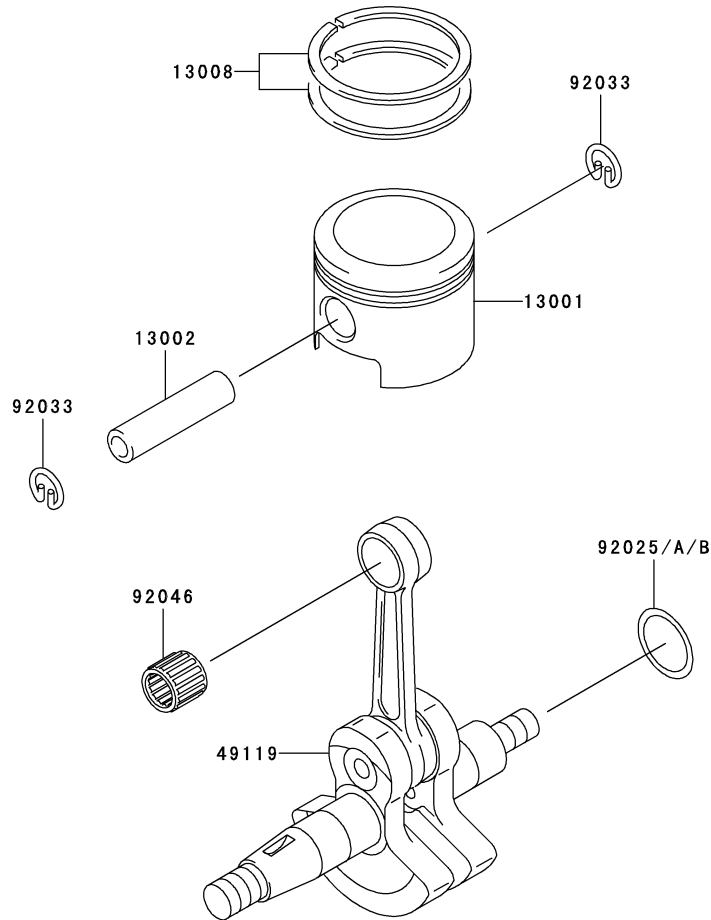
TH043D- □ C52

02

This fig. covers:

PISTON/CRANKSHAFT

E0120-A054A



Ref. No.	Part No.	Description	Quantity		
			A	B	C
13001	13001-2140	PISTON-ENGINE	1	1	1
13002	13002-2065	PIN-PISTON	1	1	1
13008	13008-6052	RING-SET-PISTON	1	1	1
49119	49119-2173	CRANKSHAFT-ASSY	1	1	1
92025	92025-2135	SHIM,T=0.20	AR	AR	AR
92025A	92025-2136	SHIM,T=0.40	AR	AR	AR
92025B	92025-2137	SHIM,T=0.60	AR	AR	AR
92033	92033-2058	RING-SNAP	2	2	2
92046	13033-2005	BEARING-NEEDLE	1	1	1

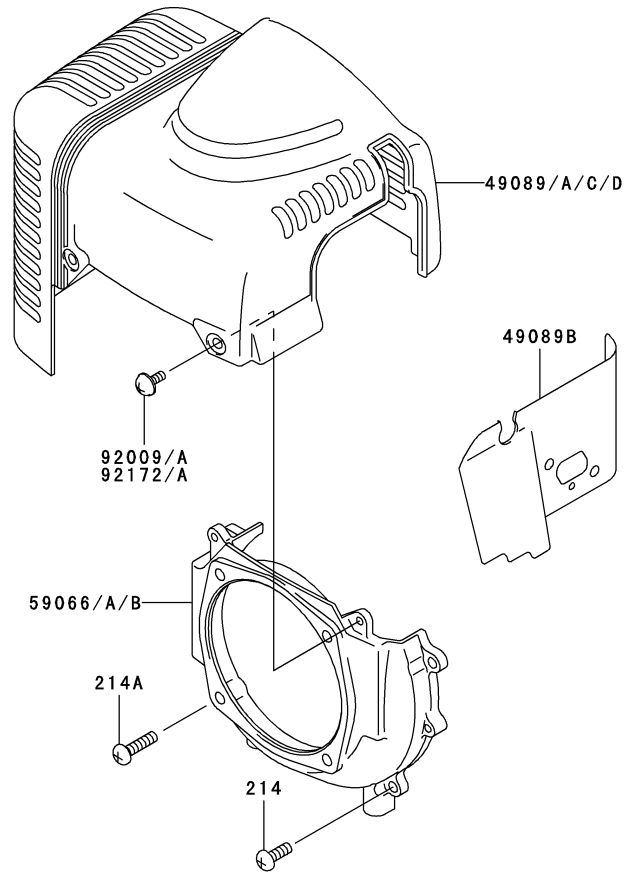
This catalog covers:

TH043D- □ C52

This fig. covers:

03 COOLING-EQUIPMENT

E0150-A334L



Ref. No.	Part No.	Description	Quantity		
			A	B	C
49089	49089-2385	SHROUD-ENGINE	1		
49089A	49089-2385	SHROUD-ENGINE		*	
	(-			
	TH043-203805)				
49089B	49089-2386	SHROUD-ENGINE	1	1	1
49089C	49089-2553	SHROUD-ENGINE			1
49089D	49089-2553	SHROUD-ENGINE		1	
	(TH043-203806 -			
)				
59066	59066-2651	HOUSING-FAN		*	
	(-			
	TH043-144240)				
59066A	59066-2747	HOUSING-FAN		1	1
59066B	59066-2747	HOUSING-FAN	1		
	(TH043-144241 -			
)				
92009	92009-2234	SCREW,4X10	2		
92009A	92009-2234	SCREW,4X10		*	
92172	92172-2060	SCREW,4X10			2
92172A	92172-2060	SCREW,4X10		2	
214	214B0514	SCREW-PAN+-	3	3	3
214A	214B0520	SCREW-PAN+-	1	1	1

This catalog covers:

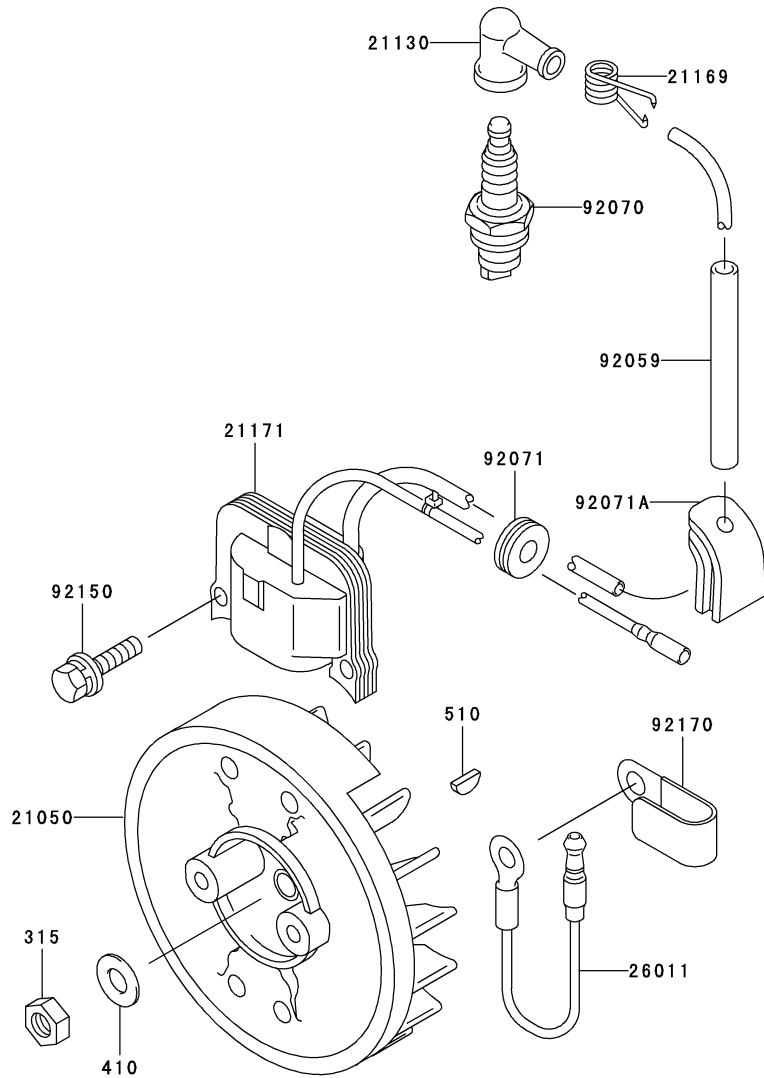
TH043D- □ C52

04

This fig. covers:

ELECTRIC-EQUIPMENT

E0160-A083A



Ref. No.	Part No.	Description	Quantity		
			A	B	C
21050	21050-2240	FLYWHEEL	1	1	1
21130	21130-2056	CAP-SPARK PLUG	1	1	1
21169	21169-2051	TERMINAL	1	1	1
21171	21171-2195	COIL-ASSY-IGNITION	1	1	1
26011	26011-2113	WIRE-LEAD	1	1	1
92059	92059-2103	TUBE,6X7.4X108	1	1	1
92070	92070-2060	PLUG-SPARK,BMR6A(NGK),SOLID	1	1	1
92071	92071-2097	GROMMET	1	1	1
92071A	92071-2143	GROMMET,IGNITION COIL	1	1	1
92150	92150-2182	BOLT,5X18	2	2	2
92170	92170-2041	CLAMP	1	1	1
315	315B1000	NUT-HEX-FINE	1	1	1
410	410B1000	W-PLAIN-S	1	1	1
510	510A3100	KEY-WOODRUFF	1	1	1

This catalog covers:

TH043D- □ C52

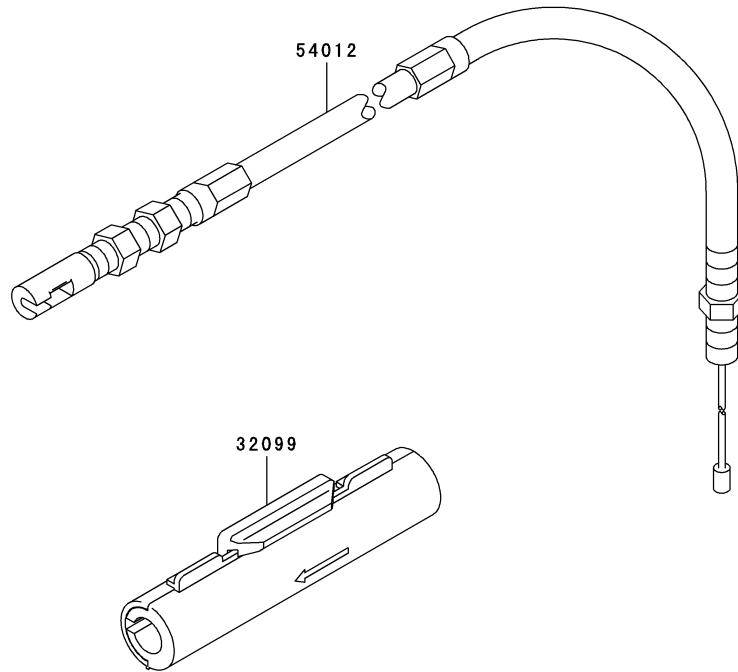
05

This fig. covers:

CONTROL-EQUIPMENT

E0170-A228A

Ref. No.	Part No.	Description	Quantity		
			A	B	C
32099	32099-2326	CASE	1	1	1
54012	54012-2342	CABLE-THROTTLE	1	1	1



This catalog covers:

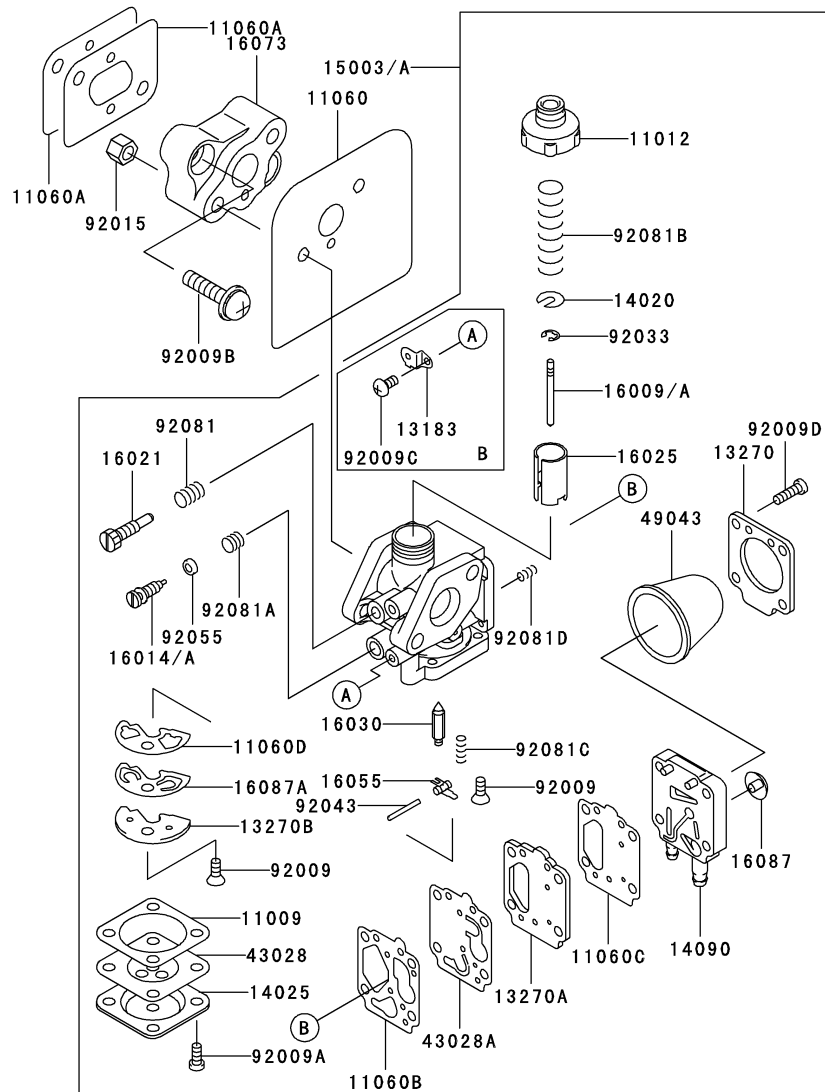
TH043D- □ C52

06

This fig. covers:

CARBURETOR

E0180-A315E



Ref. No.	Part No.	Description	Quantity		
			A	B	C
11009	11009-2366	GASKET	1	1	
11012	11012-2185	CAP,BODY	1	1	
11060	11060-2298	GASKET,CARBURETOR	1	1	
11060A	11060-2299	GASKET,INSULATOR	2	2	
11060B	11060-2305	GASKET	1	1	
11060C	11060-2306	GASKET	1	1	
11060D	11060-2307	GASKET	1	1	
13183	13183-2506	PLATE			1
13270	13270-2014	PLATE	1	1	
13270A	13270-2015	PLATE	1	1	
13270B	13270-2016	PLATE	1	1	
14020	14020-2009	RETAINER,VALVE	1	1	
14025	14025-2027	COVER	1	1	
14090	14090-2060	COVER	1	1	
15003	15003-2546	CARBURETOR-ASSY	1		
15003A	15003-2675	CARBURETOR-ASSY			1
16009	16009-2120	NEEDLE-JET	1		
16009A	16009-2127	NEEDLE-JET,#A159			1
16014	16014-2064	SCREW-PILOT AIR	1		
16014A	16014-2069	SCREW-PILOT AIR			1
16021	16021-2008	SCREW-THROTTLE STOP	1	1	
16025	16025-2173	VALVE-THROTTLE	1	1	
16030	16030-2087	VALVE-FLOAT	1	1	
16055	13168-2118	ARM-FLOAT	1	1	
16073	16073-2176	INSULATOR	1	1	
16087	16087-2059	VALVE-CHECK	1	1	
16087A	16087-2060	VALVE-CHECK	1	1	
43028	43028-2065	DIAPHRAGM	1	1	
43028A	43028-2082	DIAPHRAGM	1	1	
49043	49043-2071	PUMP-PRIMING	1	1	
92009	92009-2053	SCREW	2	2	
92009A	92009-2061	SCREW	4	4	
92009B	92009-2249	SCREW,5X20	2	2	
92009C	92009-2342	SCREW			1
92009D	92009-2361	SCREW,3X14	4	4	
92015	92015-2097	NUT,M5	2	2	
92033	92033-2070	RING-SNAP	1	1	
92043	92043-2099	PIN	1	1	
92055	92055-2067	RING-O	1	1	
92081	92081-2245	SPRING	1	1	
92081A	92081-2249	SPRING	1	1	
92081B	92081-2272	SPRING	1	1	
92081C	92081-2339	SPRING	1	1	
92081D	92081-2340	SPRING	1	1	

This catalog covers:

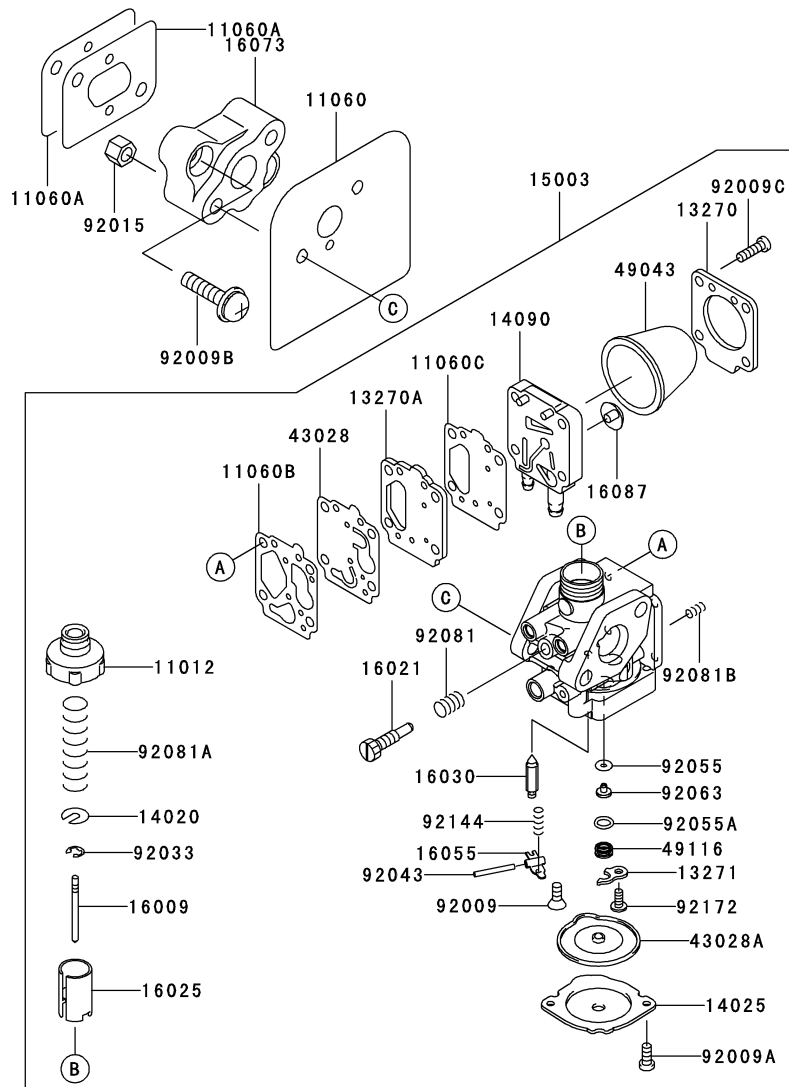
TH043D- □ C52

06

This fig. covers:

CARBURETOR

E0180-A604B



Ref. No.	Part No.	Description	Quantity		
			A	B	C
11012	11012-2185	CAP,BODY			1
11060	11060-2298	GASKET,CARBURETOR			1
11060A	11060-2299	GASKET,INSULATOR			2
11060B	11060-2305	GASKET			1
11060C	11060-2306	GASKET			1
13270	13270-2014	PLATE			1
13270A	13270-2015	PLATE			1
13271	13271-2247	PLATE			1
14020	14020-2009	RETAINER,VALVE			1
14025	14025-2027	COVER			1
14090	14090-2060	COVER			1
15003	15003-2934	CARBURETOR-ASSY			1
16009	16009-2114	NEEDLE-JET,#114			1
16021	16021-2008	SCREW-THROTTLE STOP			1
16025	16025-2173	VALVE-THROTTLE			1
16030	16030-2087	VALVE-FLOAT			1
16055	13168-2118	ARM-FLOAT			1
16073	16073-2176	INSULATOR			1
16087	16087-2059	VALVE-CHECK			1
43028	43028-2082	DIAPHRAGM			1
43028A	43028-2093	DIAPHRAGM			1
49043	49043-2071	PUMP-PRIMING			1
49116	49116-2066	VALVE-ASSY			1
92009	92009-2053	SCREW			1
92009A	92009-2061	SCREW			2
92009B	92009-2249	SCREW,5X20			2
92009C	92009-2361	SCREW,3X14			4
92015	92015-2097	NUT,M5			2
92033	92033-2070	RING-SNAP			1
92043	92043-2099	PIN			1
92055	92055-2206	RING-O			1
92055A	92055-2207	RING-O			1
92063	92063-2444	JET-MAIN,#58			1
92081	92081-2245	SPRING			1
92081A	92081-2272	SPRING			1
92081B	92081-2340	SPRING			1
92144	92144-2009	SPRING			1
92172	92172-2086	SCREW			1

This catalog covers:

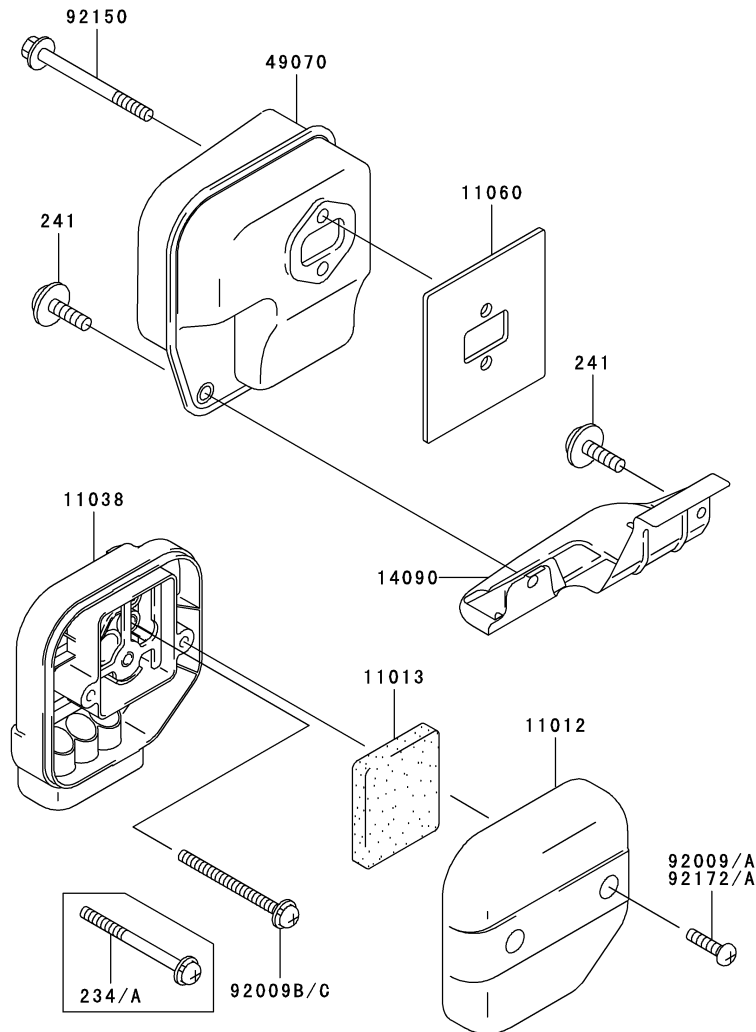
TH043D- □ C52

07

This fig. covers:

AIR-FILTER/MUFFLER

E0190-A783A



Ref. No.	Part No.	Description	Quantity		
			A	B	C
11012	11012-2349	CAP,AIR FILTER	1	1	1
11013	11013-2081	ELEMENT-AIR FILTER	1	1	1
11038	11038-2055	CASE-ASSY-AIR FILTER	1	1	1
11060	11060-2297	GASKET,MUFFLER	1	1	1
14090	14090-2059	COVER,MUFFLER	1	1	1
49070	49070-2630	MUFFLER-COMP	1	1	1
92009	92009-2324	SCREW	2		
92009A	92009-2324	SCREW		*	
92009B	92009-2449	SCREW,5X55			2
92009C	92009-2449	SCREW,5X55		2	
92150	92150-2180	BOLT,6X65	2	2	2
92172	92172-2062	SCREW			2
92172A	92172-2062	SCREW		2	
234	234B0555	SCREW-PAN-WSP+-	2		
234A	234B0555	SCREW-PAN-WSP+-		*	
241	241B0512	SCREW-PAN-WP+-	2	2	2

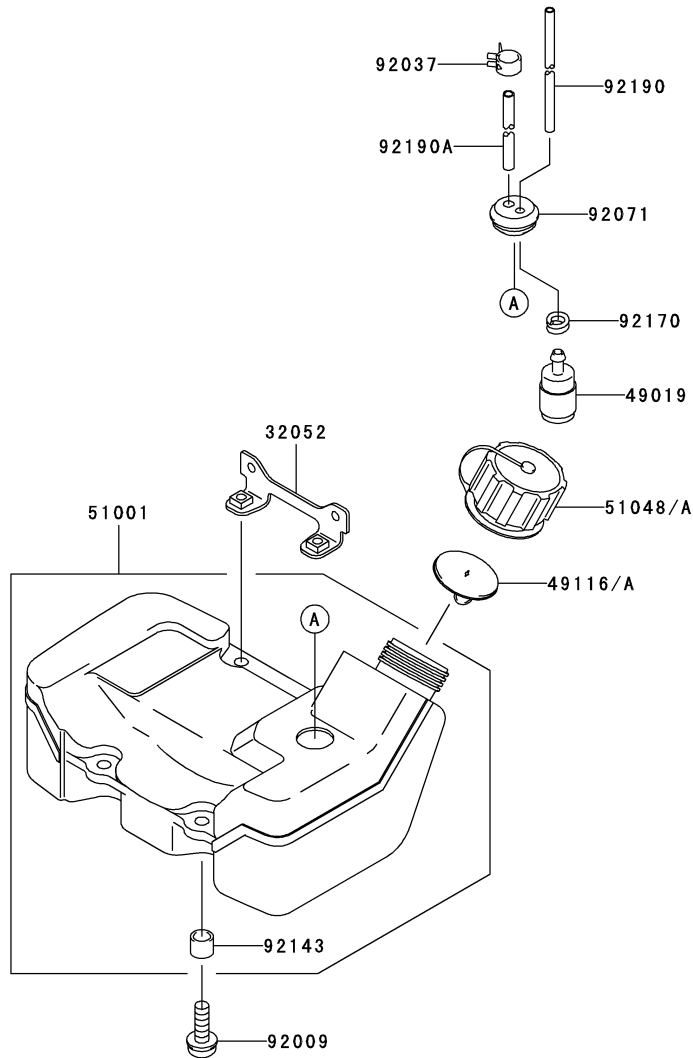
This catalog covers:

TH043D- □ C52

This fig. covers:

08 FUEL-TANK/FUEL-VALVE

E0200-A146E



Ref. No.	Part No.	Description	Quantity		
			A	B	C
32052	32052-2215	BRACKET-TANK	1	1	1
49019	49019-2111	FILTER-FUEL	1	1	1
49116	49116-2064	VALVE-ASSY		1	1
49116A	49116-2064	VALVE-ASSY	1		
51001	51001-2268	TANK-COMP-FUEL	1	1	1
51048	51048-2077	CAP-ASSY-TANK	1		
51048A	51048-2078	CAP-ASSY-TANK		1	1
92009	92009-2383	SCREW,5X20	4	4	4
92037	92037-2139	CLAMP	1	1	1
92071	92071-2142	GROMMET,FUEL TANK	1	1	1
92143	92143-2162	COLLAR	4	4	4
92170	92170-2080	CLAMP,FUEL FILTER	1	1	1
92190	92190-2157	TUBE,3X5X200	1	1	1
92190A	92190-2161	TUBE,3X6X100	1	1	1

This catalog covers:

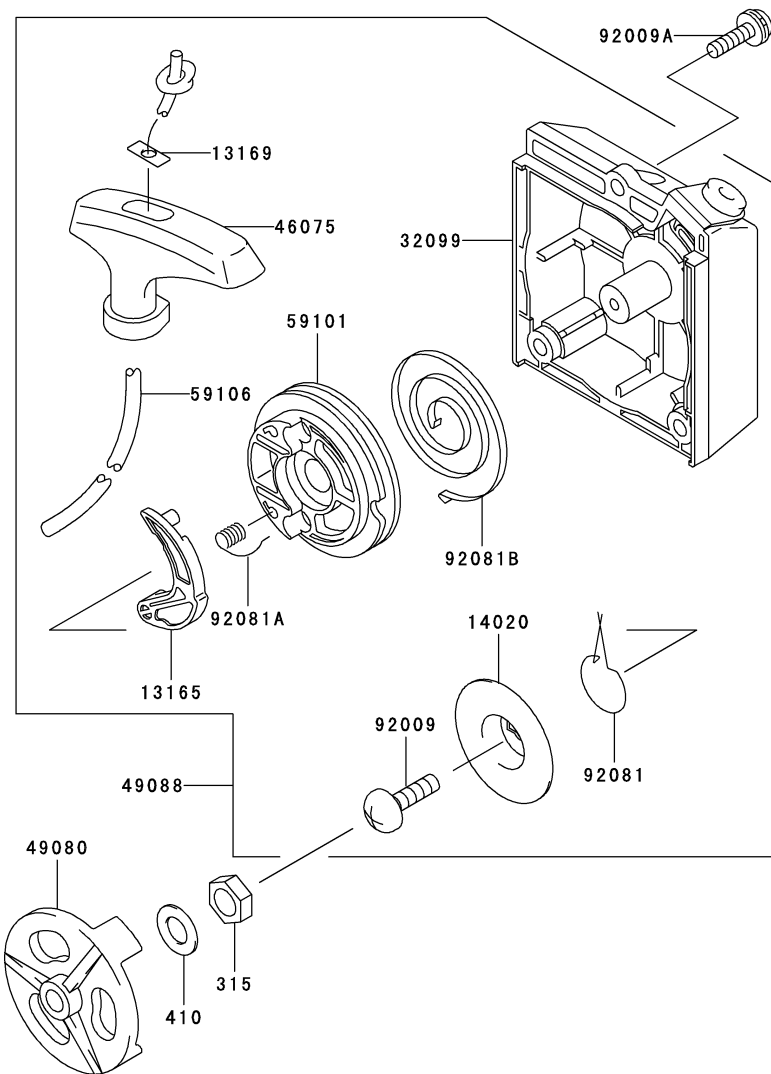
TH043D- □ C52

09

This fig. covers:

STARTER

E0210-A040B



Ref. No.	Part No.	Description	Quantity		
			A	B	C
13165	13165-2058	PAWL,RECOIL STARTER	1	1	1
13169	13169-2386	PLATE,RECOIL STARTER	1	1	1
14020	14020-2057	RETAINER,RECOIL STARTER	1	1	1
32099	32099-2272	CASE,RECOIL STARTER	1	1	1
46075	46075-2067	GRIP,RECOIL STARTER	1	1	1
49080	49080-2173	PULLEY-STARTING	1	1	1
49088	49088-2442	STARTER-RECOIL	1	1	1
59101	59101-2067	REEL,RECOIL STARTER	1	1	1
59106	59106-2077	ROPE,3.8X1200	1	1	1
92009	92009-2218	SCREW,5X12	1	1	1
92009A	92009-2249	SCREW,5X20	3	3	3
92081	92081-2274	SPRING	1	1	1
92081A	92081-2275	SPRING	1	1	1
92081B	92081-2318	SPRING	1	1	1
315	315B0800	NUT-HEX-FINE	1	1	1
410	410B0800	W-PLAIN-S	1	1	1

This catalog covers:

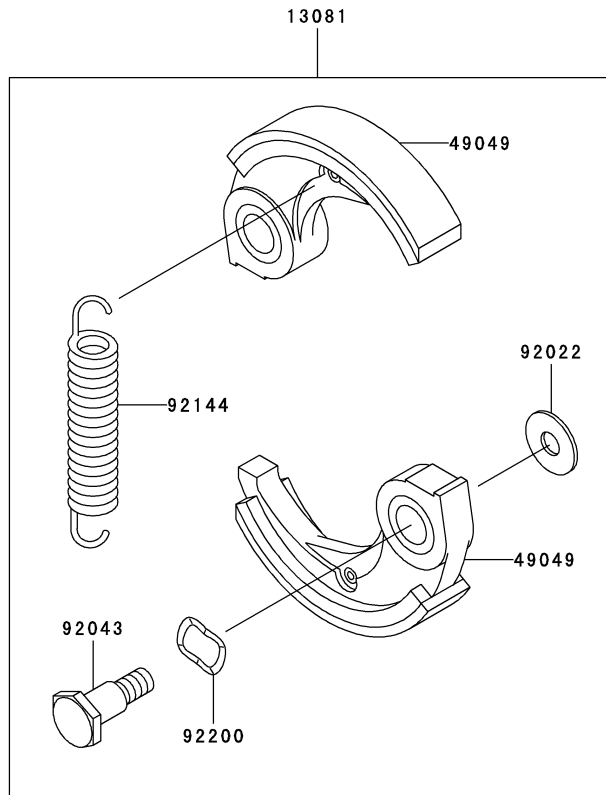
TH043D- □ C52

E0220-A008A

10

This fig. covers:

P.T.O-EQUIPMENT



Ref. No.	Part No.	Description	Quantity		
			A	B	C
13081	13081-2220	CLUTCH-ASSY	1	1	1
49049	49049-2075	SHOE-CLUTCH	2	2	2
92022	92026-2125	WASHER	2	2	2
92043	92043-2210	PIN,CLUTCH	2	2	2
92144	92144-2390	SPRING	1	1	1
92200	92200-2064	WASHER,SPRING,10.5X14.5X0.3	2	2	2

This catalog covers:

TH043D- □ C52

11

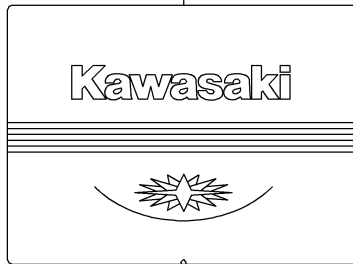
This fig. covers:

LABEL

F0290-A296A

Ref. No.	Part No.	Description	Quantity		
			A	B	C
56038	56038-2894	LABEL-BRAND	1	1	1
56039	56039-2700	LABEL-PRODUCT	1	1	1
56070	56070-2020	LABEL-WARNING	1	1	1

56038



56039



56070



This catalog covers:

TH043D- □ C52

This fig. covers:

PART NAME INDEX

AIR-FILTER/MUFFLER.....	07
CARBURETOR.....	06
CARBURETOR.....	06
CONTROL-EQUIPMENT.....	05
COOLING-EQUIPMENT.....	03
CYLINDER/CRANKCASE.....	01
ELECTRIC-EQUIPMENT.....	04
FUEL-TANK/FUEL-VALVE.....	08
LABEL.....	11
P.T.O-EQUIPMENT.....	10
PISTON/CRANKSHAFT.....	02
STARTER.....	09

This catalog covers:

TH043D- C52

This fig. covers:

NUMERICAL PARTS INDEX

Part No.	Fig No.	Part No.	Fig No.	Part No.	Fig No.	Part No.	Fig No.	Part No.	Fig No.
11005-2122	01	16087-2059	06	92009-2061	06	92172-2060	03		
11009-2366	06	16087-2059	06	92009-2061	06	92172-2062	07		
11012-2185	06	16087-2060	06	92009-2115	01	92172-2062	07		
11012-2185	06	21050-2240	04	92009-2218	09	92172-2086	06		
11012-2349	07	21130-2056	04	92009-2234	03	92190-2157	08		
11013-2081	07	21169-2051	04	92009-2234	03	92190-2161	08		
11038-2055	07	21171-2195	04	92009-2249	06	92200-2064	10		
11060-2296	01	214B0514	03	92009-2249	06				
11060-2297	07	214B0520	03	92009-2249	09				
11060-2298	06	234B0555	07	92009-2324	07				
				92009-2324	07				
11060-2298	06	241B0512	07	92009-2342	06				
11060-2299	06	26011-2113	04	92009-2361	06				
11060-2299	06	315B0800	09	92009-2361	06				
11060-2305	06	315B1000	04	92009-2383	08				
11060-2305	06	32052-2215	08	92009-2449	07				
11060-2306	06	32099-2272	09	92009-2449	07				
11060-2306	06	32099-2326	05	92015-2097	06				
11060-2307	06	34001-2082	01	92015-2097	06				
13001-2140	02	410B0800	09	92025-2135	02				
13002-2065	02								
		410B1000	04	92025-2136	02				
13008-6052	02	43028-2065	06	92025-2137	02				
13033-2005	02	43028-2082	06	92026-2125	10				
13081-2220	10	43028-2082	06	92033-2058	02				
13165-2058	09	43028-2093	06	92033-2070	06				
13168-2118	06	46075-2067	09	92033-2070	06				
13168-2118	06	49019-2111	08	92037-2139	08				
13169-2386	09	49043-2071	06	92043-2099	06				
13183-2506	06	49043-2071	06	92043-2099	06				
13270-2014	06	49049-2075	10	92043-2210	10				
13270-2014	06								
		49070-2630	07	92045-2005	01				
13270-2015	06	49080-2173	09	92049-2206	01				
13270-2015	06	49088-2442	09	92055-2067	06				
13270-2016	06	49089-2385	03	92055-2206	06				
13271-2247	06	49089-2385	03	92055-2207	06				
14002-2316	01	49089-2386	03	92059-2103	04				
14002-2317	01	49089-2553	03	92063-2444	06				
14020-2009	06	49089-2553	03	92070-2060	04				
14020-2009	06	49116-2064	08	92071-2097	04				
14020-2057	09	49116-2064	08	92071-2142	08				
14025-2027	06								
		49116-2066	06	92071-2143	04				
14025-2027	06	49119-2173	02	92081-2245	06				
14090-2059	07	51001-2268	08	92081-2245	06				
14090-2060	06	51048-2077	08	92081-2249	06				
14090-2060	06	51048-2078	08	92081-2272	06				
15003-2546	06	510A3100	04	92081-2272	06				
15003-2675	06	54012-2342	05	92081-2274	09				
15003-2934	06	551A0410	01	92081-2275	09				
16009-2114	06	551A0610	01	92081-2318	09				
16009-2120	06	56038-2894	11	92081-2339	06				
16009-2127	06								
		56039-2700	11	92081-2340	06				
16014-2064	06	56070-2020	11	92081-2340	06				
16014-2069	06	59066-2651	03	92143-2162	08				
16021-2008	06	59066-2747	03	92144-2009	06				
16021-2008	06	59066-2747	03	92144-2390	10				
16025-2173	06	59101-2067	09	92150-2180	07				
16025-2173	06	59106-2077	09	92150-2182	04				
16030-2087	06	92002-2150	01	92170-2041	04				
16030-2087	06	92009-2053	06	92170-2080	08				
16073-2176	06	92009-2053	06	92172-2060	03				
16073-2176	06								