

This catalog covers:  
**TE059D-□C54**

This fig. covers:  
**TITLE**

# PARTS CATALOG

## 2-STROKE ENGINE

### TE059D

PRODUCT CODE	NOTE
TE059D-AC54	BLOWER
TE059D-BC54	

# PARTS CATALOG INTRODUCTION

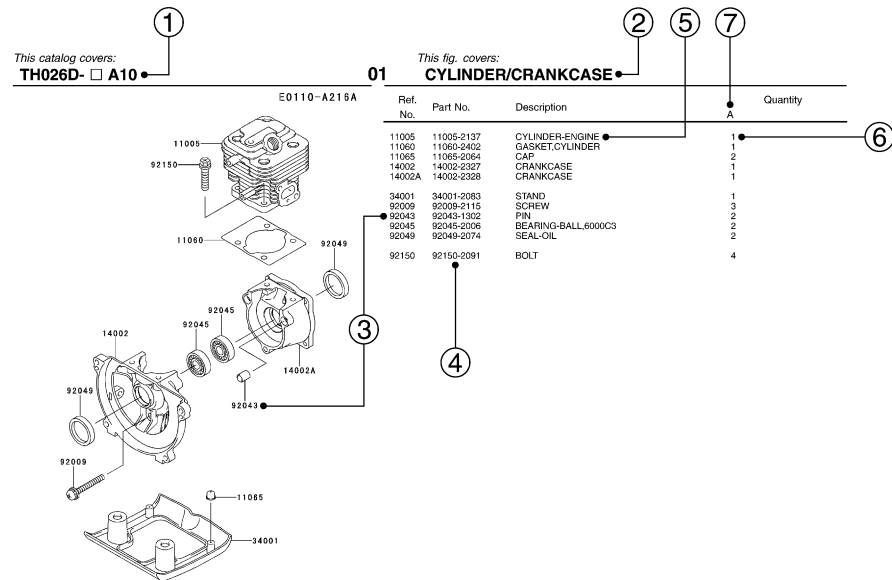
This parts catalog lists parts and sub-assemblies provided as service parts.

When it becomes necessary to replace parts, always use KAWASAKI GENUINE PARTS which have passed strict inspection which guarantees quality and performance.

## 1. HOW TO ORDER PARTS

- When ordering the parts, be sure to use the parts catalog corresponding to the product code. Check the product revision codes on the product and the catalog.  
 Product Code (example) : FA130D-AA00  
└── Product Revision Code
- Specify the part code (all digits) exactly as listed in this catalog on your parts order.
- The parts not shown in the illustrations of this catalog are not sold separately; only the complete units or next higher assemblies illustrated are supplied as the service parts.

## 2. EXPLANATION OF PARTS CATALOG FORMAT



### 1) Product Code

This code describes the product code covered by this catalog. The product revision code, which is a part of the product code, is omitted.

### 2) Part Group Title

This title is the representative name for the group of parts illustrated on the page.

### 3) Reference Number

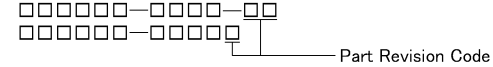
The reference numbers are shown on the illustration and the list as the link between them.

## 4) Part Number

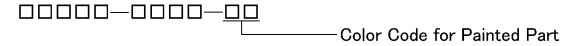
This is the key of your parts ordering.

Three kinds of part number are used in this catalog.

### a. Structure 1

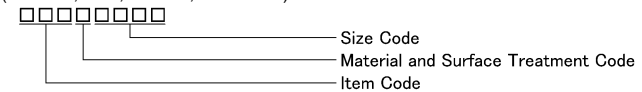


### b. Structure 2



### c. Standard Hardware Number

(for bolts, nuts, washer, or the like)



## 5) Description and Additional Information

The part name, the location, the size, and the serial number as additional information, etc. are described here. Use them to find out and check the part required.

When a part number is changed without change of the product revision code and the changed parts are not interchangeable, the serial number of the product is noted as follows;

- ( FA130 - 100001 ) : Affected units are from beginning of the product of the product code up to and including this serial number.
- ( FA130 - 100002 - ) : Affected units are from this serial number and above.
- ( FA130 - 100002 - FA130 - 110001 ) : Affected units are in this serial number range.

## 6) Quantity

The figure shows quantity of the part required at the indicated position on the illustration and for the specified product revision code.

The asterisk (\*) on this column means the part can be used as the substitute on the product and is supplied until the stock is exhausted.

Note:Some small parts will be supplied by units.

Example: If six (6) bolts are ordered and the minimum quantity per unit is five (5), two (2), units of the bolt will be delivered.

## 7) Product Revision Code

This Code indicates an important change which affects the service parts interchangeability.

## 3. ABBREVIATIONS

#.....Number	FR.....Front	RH.....Right Hand
&.....And	G.....Gram	RPM.....Revolutions Per Minute
(+).....Plus	HEX.....Hexagonal	RR.....Rear
(-).....Minus	ID=.....Inside Diameter	STD.....Standard
2ND.....Second	IN.....Inch	T.....Teeth
3RD.....Third	L=.....Length	T=.....Thickness
4TH.....Fourth	LH.....Left Hand	U/S.....Under Size
A.....Ampere	LWR.....Lower	UPP.....Upper
AR.....As Required	MM.....Millimeter	V.....Volt
ASSY.....Assembly	O/S.....Over Size	W.....Watt
CNT.....Center	OD=.....Outside Diameter	
COMP.....Complete	REF.....Reference	

This catalog covers:

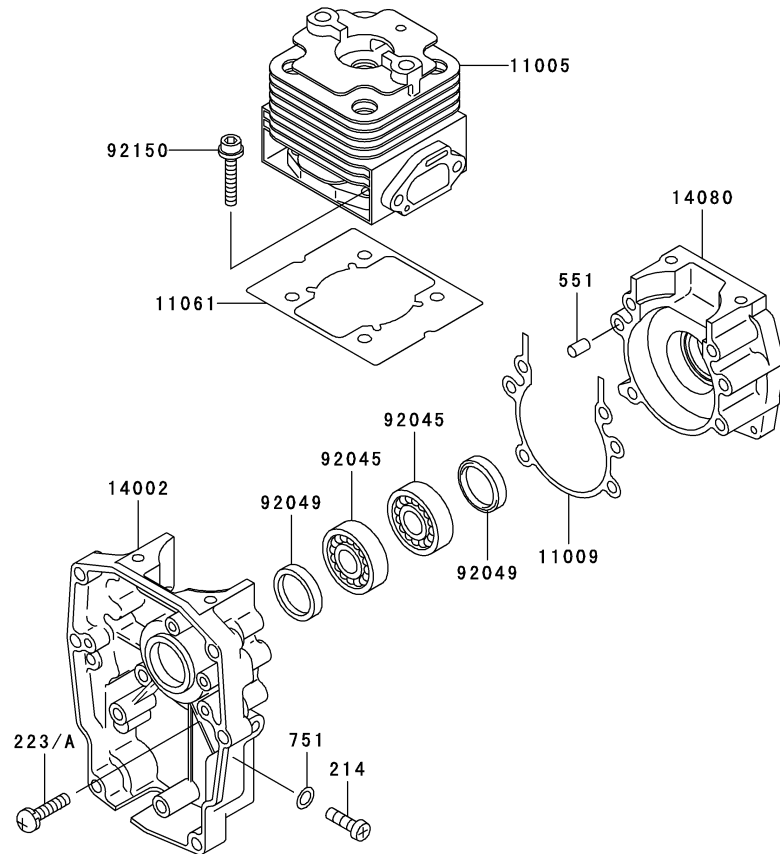
TE059D- □ C54

01

This fig. covers:

CYLINDER/CRANKCASE

E0110-A366D



Ref. No.	Part No.	Description	Quantity	
			A	B
11005	11005-2149	CYLINDER-ENGINE	1	1
11009	11009-2495	GASKET,CRANKCASE	1	1
11061	11061-2080	GASKET,CYLINDER	1	1
14002	14002-2225	CRANKCASE	1	1
14080	14080-2054	CRANKCASE	1	1
92045	92045-2055	BEARING-BALL,6203C3	2	2
92049	92049-2077	SEAL-OIL	2	2
92150	92150-2294	BOLT	4	4
214	214AA0608	SCREW-PAN+-.6X8	1	1
223	223AA0630	SCREW-PAN-WS-CROS,6X30		4
223A	223B0630	SCREW-PAN-WS-CROS,6X30	4	
551	551A0610	PIN-DOWEL,6X10	2	2
751	751Q0600	GASKET,6MM	1	1

This catalog covers:

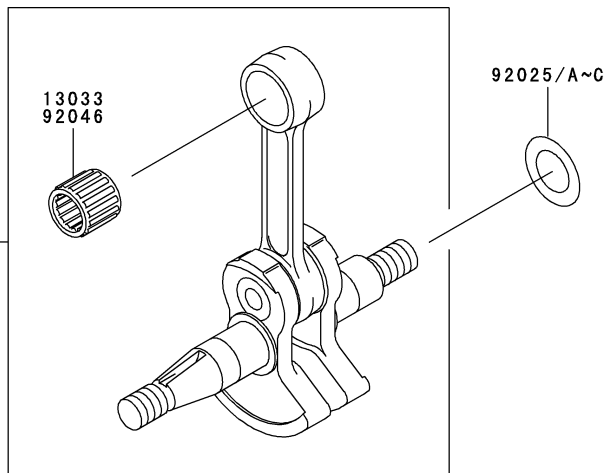
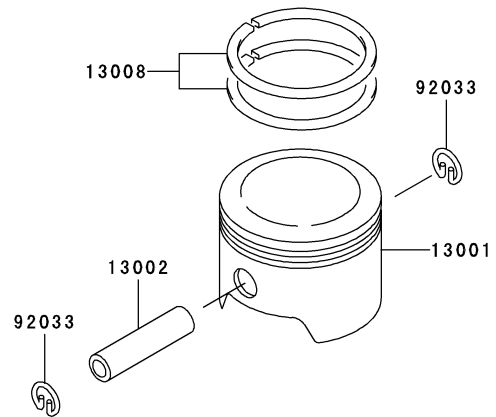
TE059D- □ C54

02

This fig. covers:

PISTON/CRANKSHAFT

E0120-A036F



Ref. No.	Part No.	Description	Quantity	
			A	B
13001	13001-2144	PISTON-ENGINE	1	1
13002	13002-2067	PIN-PISTON	1	1
13008	13008-6054	RING-SET-PISTON	1	1
13033	13033-2061	BEARING-SMALL END		1
49119	49119-6198	CRANKSHAFT-ASSY	1	
49119A	49119-6209	CRANKSHAFT-ASSY		1
92025	92025-2092	SHIM,T=0.20	AR	AR
92025A	92025-2093	SHIM,T=0.40	AR	AR
92025B	92025-2094	SHIM,T=0.60	AR	AR
92025C	92025-2107	SHIM,T=0.10	AR	AR
92033	92033-2058	RING-SNAP	2	2
92046	13033-2005	BEARING-NEEDLE	1	

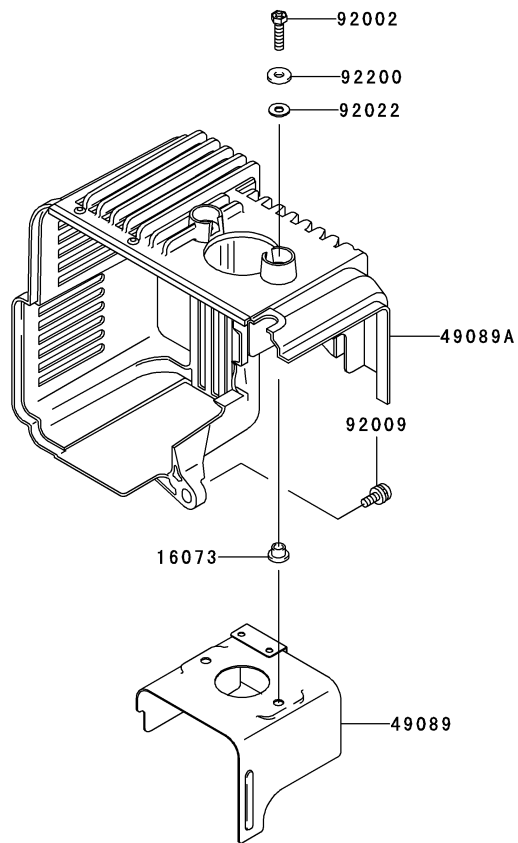
This catalog covers:

TE059D- □ C54

This fig. covers:

**03 COOLING-EQUIPMENT**

E0150-A415A



Ref. No.	Part No.	Description	Quantity	
			A	B
16073	16073-2197	INSULATOR	2	2
49089	49089-2524	SHROUD-ENGINE	1	1
49089A	49089-2532	SHROUD-ENGINE	1	1
92002	92002-2322	BOLT,5X20	2	2
92009	92009-2285	SCREW	1	1
92022	92022-2157	WASHER	2	2
92200	92200-2156	WASHER	2	2

This catalog covers:

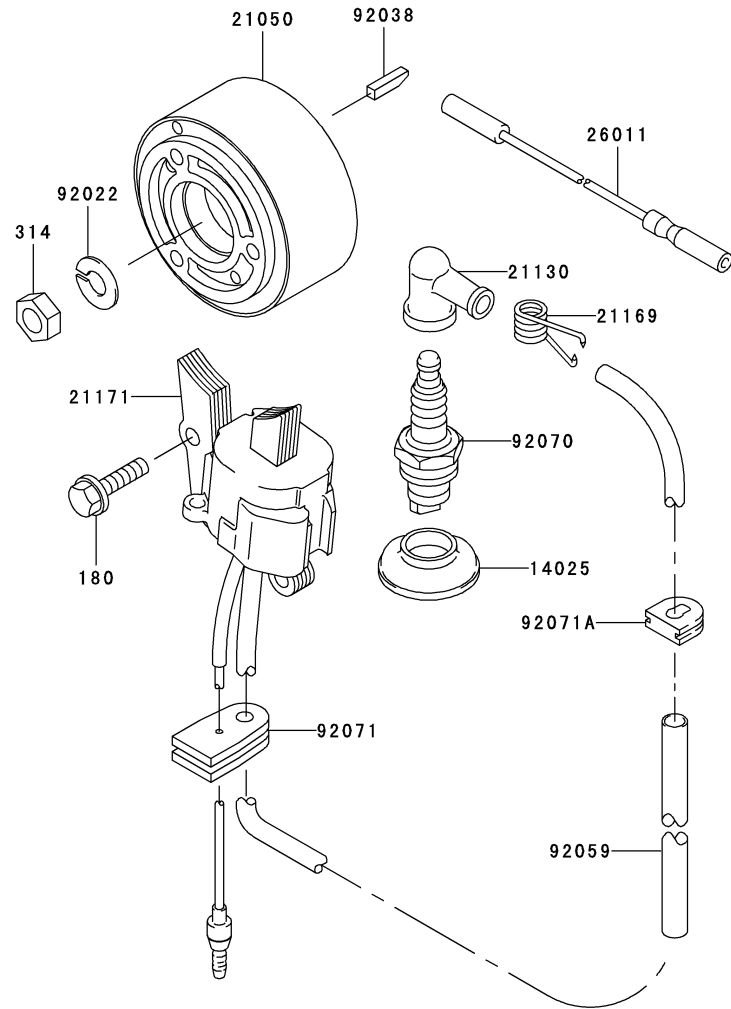
TE059D- □ C54

04

This fig. covers:

ELECTRIC-EQUIPMENT

E0160-A722B



Ref. No.	Part No.	Description	Quantity	
			A	B
14025	14025-2110	COVER	1	1
21050	21050-2262	FLYWHEEL	1	1
21130	21130-2056	CAP-SPARK PLUG	1	1
21169	21169-2051	TERMINAL	1	1
21171	21171-2201	COIL-ASSY-IGNITION	1	1
26011	26011-2321	WIRE-LEAD	1	1
92022	92022-2147	WASHER	1	1
92038	92038-2078	KEY	1	1
92059	92059-2233	TUBE,6X7.4X300	1	1
92070	92070-2107	PLUG-SPARK,BPMR7A(NGK),SOLID	1	1
92071	92071-2077	GROMMET	1	1
92071A	92071-2155	GROMMET	1	1
180	180AA0520	BOLT-UPSET-WS,5X20	2	2
314	314R1000	NUT-HEX-FINE,10MM	1	1

This catalog covers:

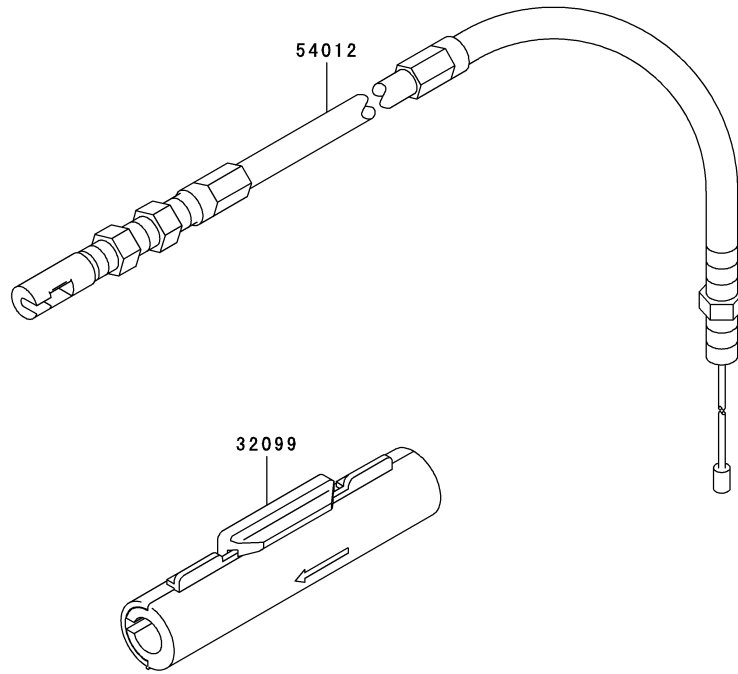
**TE059D- □ C54**

This fig. covers:

**05 CONTROL-EQUIPMENT**

E0170-A228A

Ref. No.	Part No.	Description	Quantity	
			A	B
32099	32099-2326	CASE	1	1
54012	54012-2578	CABLE-THROTTLE	1	1



This catalog covers:

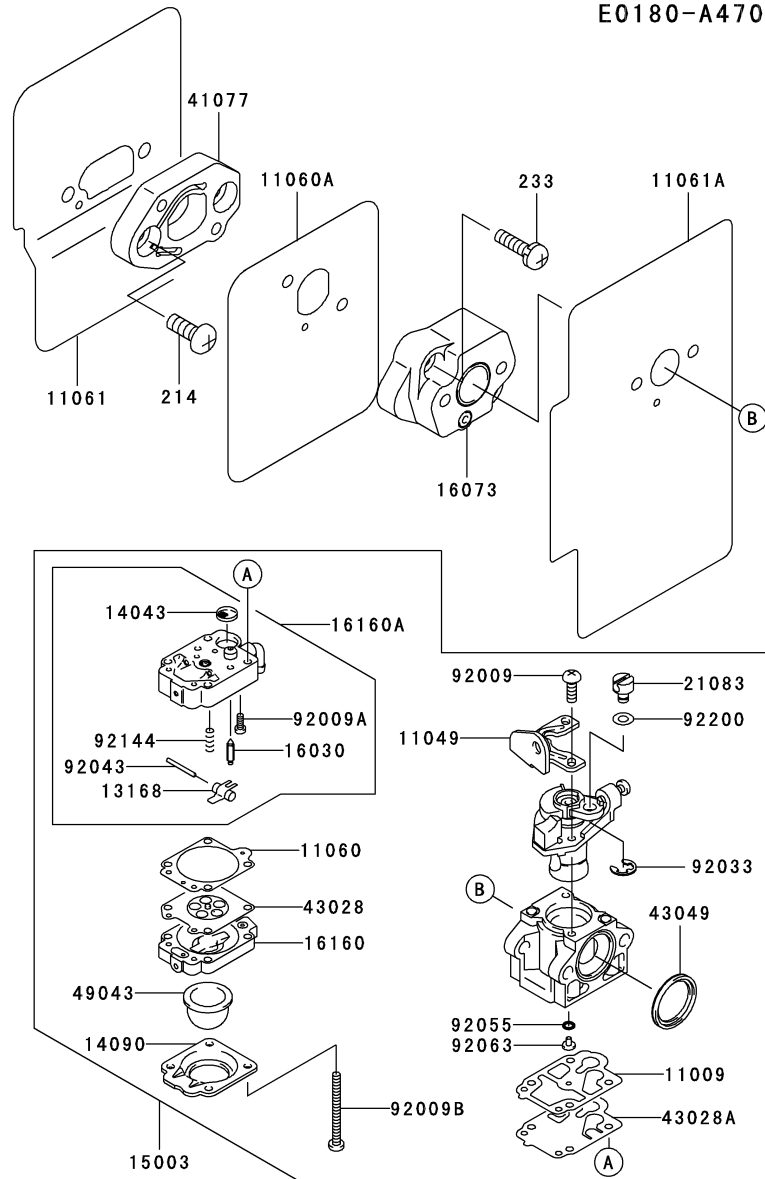
TE059D- □ C54

06

This fig. covers:

CARBURETOR

E0180-A470A



Ref. No.	Part No.	Description	Quantity	
			A	B
11009	11009-2757	GASKET	1	1
11049	11049-2006	BRACKET	1	1
11060	11060-2111	GASKET	1	1
11060A	11060-2439	GASKET	1	1
11061	11061-2079	GASKET	1	1
11061A	11061-2081	GASKET	1	1
13168	16055-2051	LEVER	1	1
14043	14043-2051	FILTER	1	1
14090	14090-2017	COVER,PRIMER PUMP	1	1
15003	15003-2804	CARBURETOR-ASSY	1	1
16030	16030-2078	VALVE-FLOAT	1	1
16073	16073-2213	INSULATOR	1	1
16160	16160-2089	BODY	1	1
16160A	16160-2101	BODY	1	1
21083	21083-2073	ARM	1	1
41077	41077-2067	ADAPTER	1	1
43028	43028-2054	DIAPHRAGM	1	1
43028A	43028-2067	DIAPHRAGM	1	1
43049	43049-2060	PACKING	1	1
49043	49043-2067	PUMP-PRIMING	1	1
92009	92009-2277	SCREW	2	2
92009A	92009-2336	SCREW	1	1
92009B	92009-2337	SCREW	4	4
92033	92033-2078	RING-SNAP	1	1
92043	92043-2094	PIN	1	1
92055	92055-2147	RING-O	1	1
92063	92063-2365	JET-MAIN,#52	1	1
92144	92144-2308	SPRING	1	1
92200	92200-2074	WASHER	1	1
214	214AA0616	SCREW-PAN+-.6X16	2	2
233	233AA0520	SCREW-PAN-WP+-.5X20	2	2



This catalog covers:

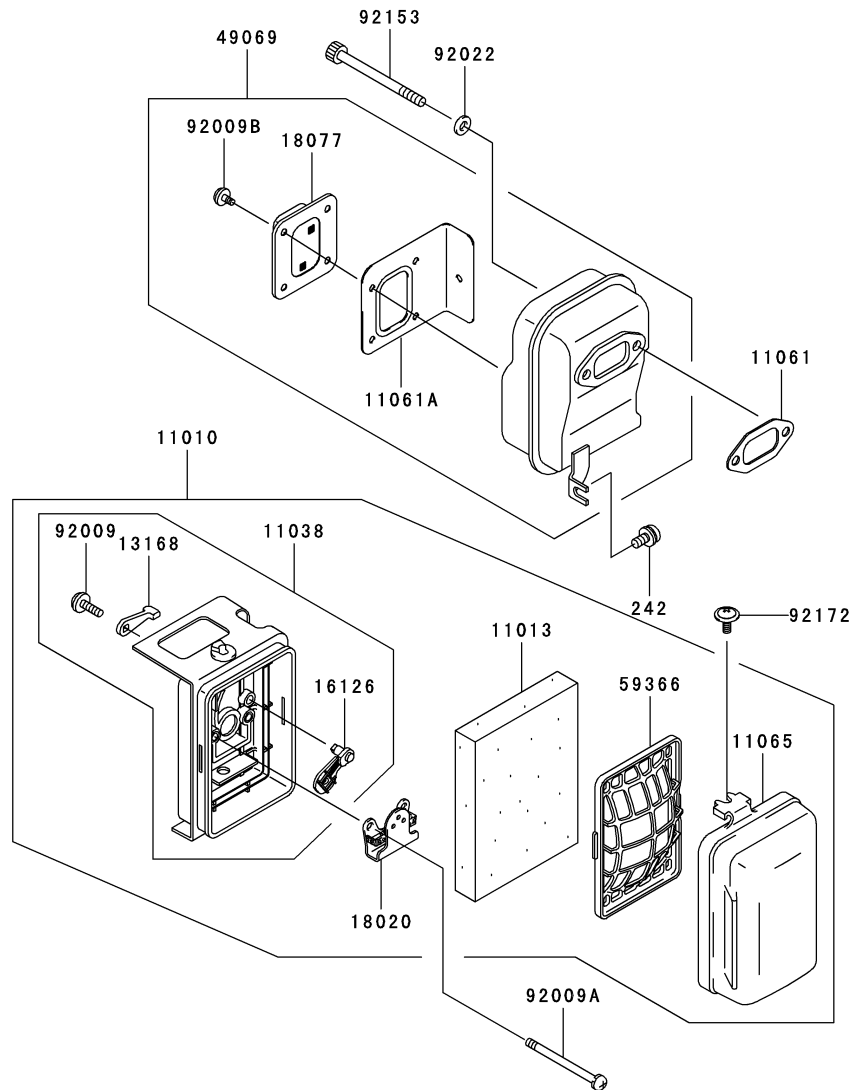
TE059D- □ C54

07

This fig. covers:

AIR-FILTER/MUFFLER

E0190-A632A



Ref. No.	Part No.	Description	Quantity	
			A	B
11010	11010-2566	FILTER-ASSY-AIR	1	1
11013	11013-2202	ELEMENT-AIR FILTER	1	1
11038	11038-2085	CASE-ASSY-AIR FILTER	1	1
11061	11061-2093	GASKET	1	1
11061A	11061-2105	GASKET	1	1
11065	11065-2107	CAP	1	1
13168	13168-2463	LEVER	1	1
16126	16126-2233	VALVE	1	1
18020	18020-2081	BAFFLE	1	1
18077	18077-2116	ARRESTER-SPARK	1	1
49069	49069-2373	MUFFLER-ASSY	1	1
59366	59366-2067	GRATE	1	1
92009	92009-2359	SCREW,3X10	1	1
92009A	92009-2435	SCREW,5X63	2	2
92009B	92009-2446	SCREW	4	4
92022	92022-1523	WASHER,6.5X13X2.0	2	2
92153	92153-2063	BOLT	2	2
92172	92172-2066	SCREW,5X14	1	1
242	242AA0614	SCREW-PAN-WSP+-,6X14	1	1

This catalog covers:

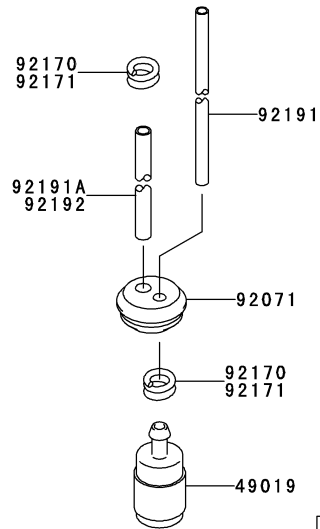
TE059D- □ C54

08

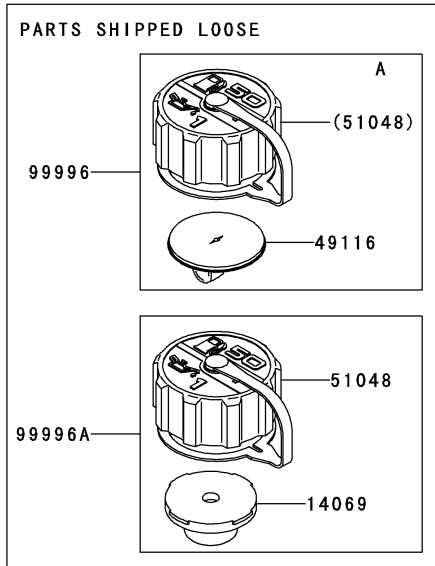
This fig. covers:

FUEL-TANK/FUEL-VALVE

E0200-A634A



Ref. No.	Part No.	Description	Quantity	
			A	B
14069	14069-2088	BREATHER		1
49019	49019-2085	FILTER-FUEL	1	1
49116	49116-2064	VALVE-ASSY	1	
51048	51048-2078	CAP-ASSY-TANK	1	1
92071	92071-2142	GROMMET,FUEL TANK	1	1
92170	92170-2080	CLAMP,FUEL FILTER	2	
92171	92171-2073	CLAMP		2
92191	92191-2136	TUBE,3X5X300	1	1
92191A	92191-2137	TUBE,3X6X160	1	
92192	92192-2147	TUBE,3X6X160		1
99996	99996-6060	KIT,CAP-ASSY-TANK	1	
99996A	99996-6086	KIT,CAP-ASSY-TANK		1



This catalog covers:

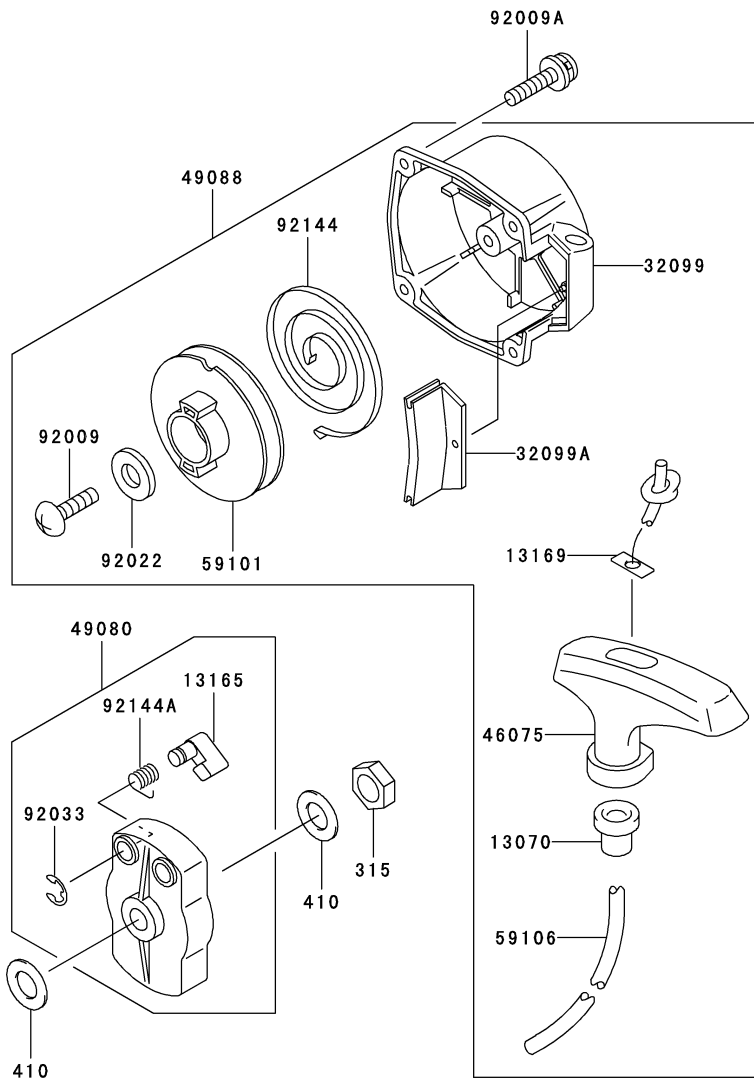
TE059D- □ C54

09

This fig. covers:

STARTER

E0210-A141E



Ref. No.	Part No.	Description	Quantity	
			A	B
13070	13070-2064	GUIDE,ROPE	1	1
13165	13165-2084	PAWL,RECOIL STARTER	1	1
13169	13169-2386	PLATE,RECOIL STARTER	1	1
32099	32099-2135	CASE,RECOIL STARTER	1	1
32099A	32099-2136	CASE,RECOIL STARTER	1	1
46075	46075-2067	GRIP,RECOIL STARTER	1	1
49080	49080-2185	PULLEY-STARTING	1	1
49088	49088-2311	STARTER-RECOIL	1	1
59101	59101-2074	REEL,RECOIL STARTER	1	1
59106	59106-2092	ROPE,3.8X1150	1	1
92009	92009-2218	SCREW,5X12	1	1
92009A	92009-2386	SCREW,4X16	4	4
92022	92022-2237	WASHER	1	1
92033	92033-2010	RING-SNAP	1	1
92144	92144-2040	SPRING,RECOIL	1	1
92144A	92144-2046	SPRING,RETURN	1	1
315	315B1000	NUT-HEX-FINE,10MM	1	1
410	410B1000	W-PLAIN-S,10MM	2	2

This catalog covers:

**TE059D- □ C54**

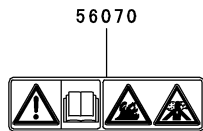
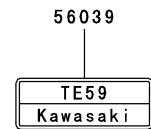
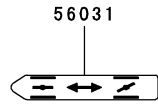
**10**

This fig. covers:

**LABEL**

F0290-B375A

Ref. No.	Part No.	Description	Quantity	
			A	B
56031	56031-2468	LABEL-MANUAL	1	1
56039	56039-2800	LABEL-PRODUCT	1	1
56070	56070-2020	LABEL-WARNING	1	1



*This catalog covers:*

**TE059D-  C54**

*This fig. covers:*

---

## PART NAME INDEX

AIR-FILTER/MUFFLER.....	07
CARBURETOR.....	06
CONTROL-EQUIPMENT.....	05
COOLING-EQUIPMENT.....	03
CYLINDER/CRANKCASE .....	01
ELECTRIC-EQUIPMENT.....	04
FUEL-TANK/FUEL-VALVE.....	08
LABEL.....	10
PISTON/CRANKSHAFT .....	02
STARTER.....	09

This catalog covers:

TE059D-  C54

This fig. covers:

## NUMERICAL PARTS INDEX

Part No.	Fig No.	Part No.	Fig No.	Part No.	Fig No.	Part No.	Fig No.	Part No.	Fig No.
11005-2149	01	43028-2054	06	92153-2063	07				
11009-2495	01	43028-2067	06	92170-2080	08				
11009-2757	06	43049-2060	06	92171-2073	08				
11010-2566	07	46075-2067	09	92172-2066	07				
11013-2202	07	49019-2085	08	92191-2136	08				
11038-2085	07	49043-2067	06	92191-2137	08				
11049-2006	06	49069-2373	07	92192-2147	08				
11060-2111	06	49080-2185	09	92200-2074	06				
11060-2439	06	49088-2311	09	92200-2156	03				
11061-2079	06	49089-2524	03	99996-6060	08				
11061-2080	01	49089-2532	03	99996-6086	08				
11061-2081	06	49116-2064	08						
11061-2093	07	49119-6198	02						
11061-2105	07	49119-6209	02						
11065-2107	07	51048-2078	08						
13001-2144	02	54012-2578	05						
13002-2067	02	551A0610	01						
13008-6054	02	56031-2468	10						
13033-2005	02	56039-2800	10						
13033-2061	02	56070-2020	10						
13070-2064	09	59101-2074	09						
13165-2084	09	59106-2092	09						
13168-2463	07	59366-2067	07						
13169-2386	09	751Q0600	01						
14002-2225	01	92002-2322	03						
14025-2110	04	92009-2218	09						
14043-2051	06	92009-2277	06						
14069-2088	08	92009-2285	03						
14080-2054	01	92009-2336	06						
14090-2017	06	92009-2337	06						
15003-2804	06	92009-2359	07						
16030-2078	06	92009-2386	09						
16055-2051	06	92009-2435	07						
16073-2197	03	92009-2446	07						
16073-2213	06	92022-1523	07						
16126-2233	07	92022-2147	04						
16160-2089	06	92022-2157	03						
16160-2101	06	92022-2237	09						
18020-2081	07	92025-2092	02						
18077-2116	07	92025-2093	02						
180AA0520	04	92025-2094	02						
21050-2262	04	92025-2107	02						
21083-2073	06	92033-2010	09						
21130-2056	04	92033-2058	02						
21169-2051	04	92033-2078	06						
21171-2201	04	92038-2078	04						
214AA0608	01	92043-2094	06						
214AA0616	06	92045-2055	01						
223AA0630	01	92049-2077	01						
223B0630	01	92055-2147	06						
233AA0520	06	92059-2233	04						
242AA0614	07	92063-2365	06						
26011-2321	04	92070-2107	04						
314R1000	04	92071-2077	04						
315B1000	09	92071-2142	08						
32099-2135	09	92071-2155	04						
32099-2136	09	92144-2040	09						
32099-2326	05	92144-2046	09						
41077-2067	06	92144-2308	06						
410B1000	09	92150-2294	01						