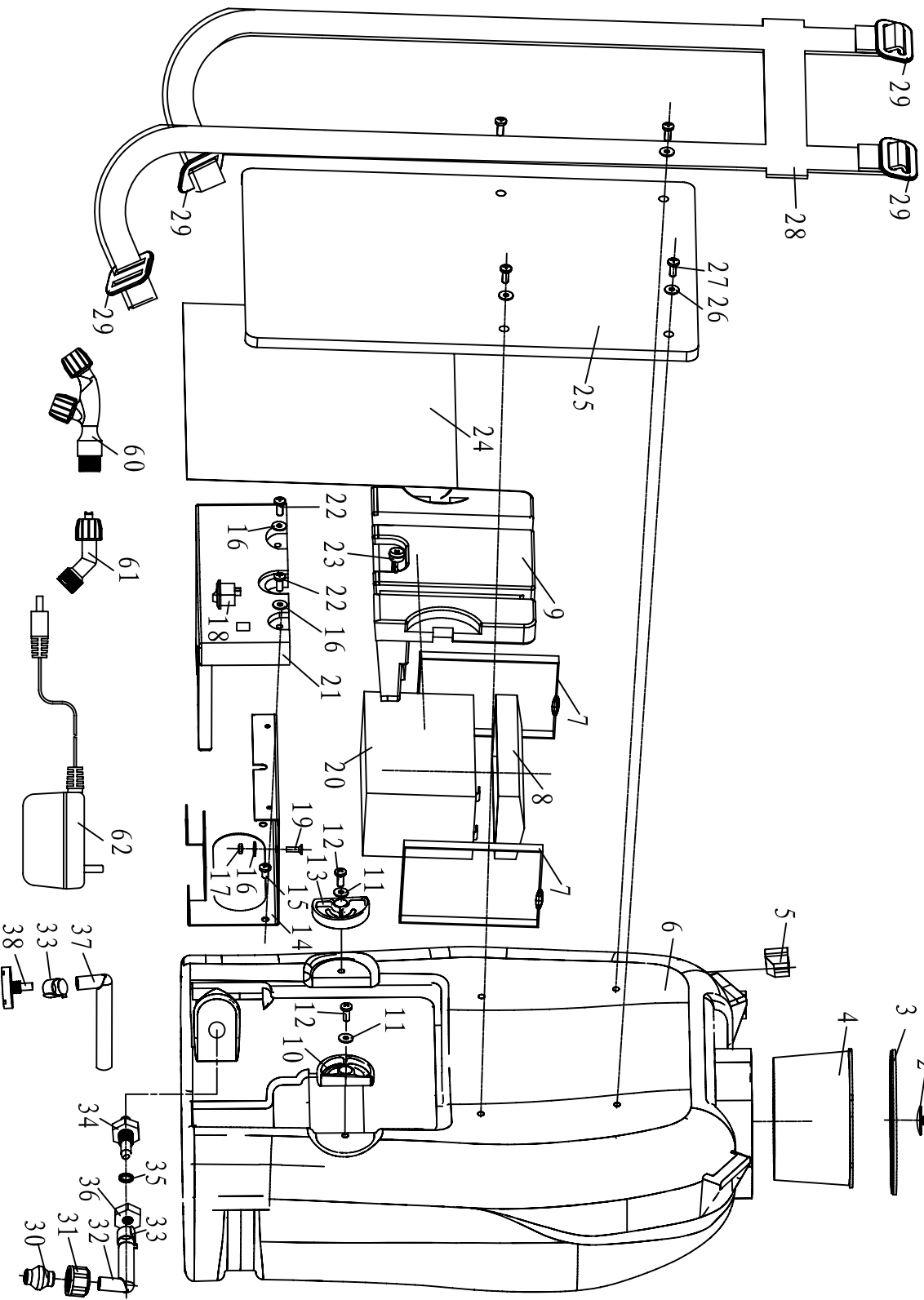
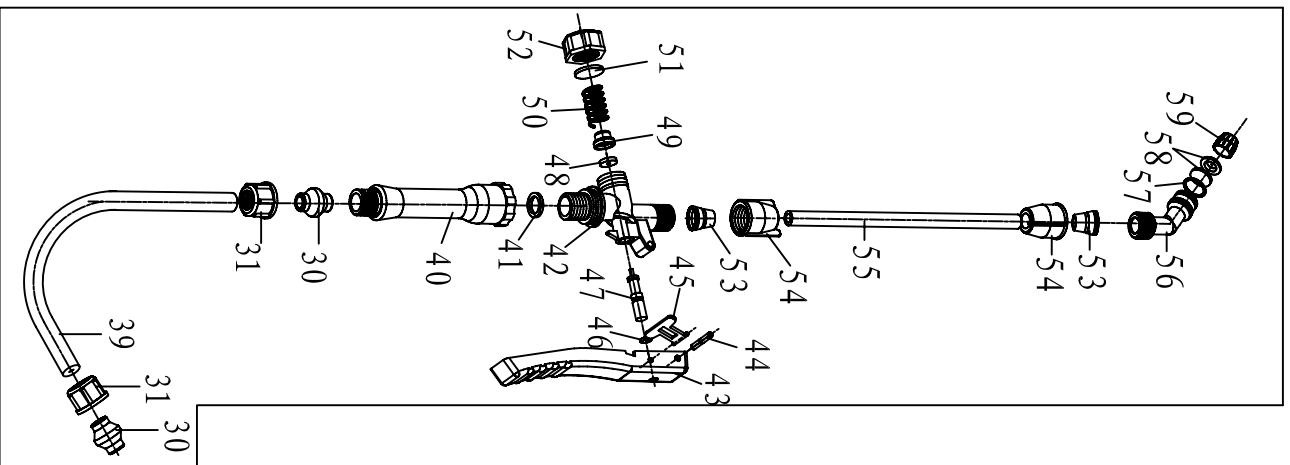


Electric sprayer Implement drawing and spare parts list(3)



NO.	Part No.	Part Name	Qty.	NO.	Part No.	Part Name	Qty.
1	WS-18D. 9-1	Container Cap	1	32	WS-15DA. 3-2A	Absorb pipe	1
2	WSJB-6. 2-2	Air Intake Plug	1	33		Pipe buckle $\phi 6 \sim \phi 12$	2
3	WS-18D. 9-2	Felt Washer	1	34	WS-18DZ. 1-3A	Water pipe	1
4	WS16-03	Large filter	1	35	WS-18DZ. 1-4	Rubber Washe	1
5	WS-18D-1	Round rod clamp	1	36	WS-18DZ-1	Case nut	1
6	WS-12D/15D/18D. 1. 1A	Water tank	1	37	WS-18D-2A	Absorb pipe	1
7	WS-18D. 4. 2	The belt for battery	2	38	WS-18DZ. 1. 1	Little filter	1
8	WS-18D. 4-2A	Lag	1	39	WS16-13-08-03	Hose	1
9	WS-18D. 4-1B	Battery seat	1	40	WS-18D. 5-13A	Switch Handle	1
10	WS-18D-4	Left battery holder	1	41	WS-18D. 5-12	Felt Washer	1
11	GB/T97. 1	Washer $\phi 5$	2	42	WS-18D. 5-1	Switch Body	1
12	GB/T818	Screw M5 \times 12	2	43	WS-18D. 5-8	Press Plate	1
13	WS-18D-5	Right battery holder	1	44	WS-18D. 5-10	Switch Pin	1
14	WS-18D. 3-1	Pump seat	1	45	WS-18D. 5-9	Lock catch	1
15	GB/T818	Screw M5 \times 8	2	46	GB/T3452. 1	O-Ring 4. 4 \times 1. 8	1
16	GB/T97. 1	Washer $\phi 4$	4	47	WS-18D. 5-2B	Pressure shaft	1
17	GB/T6170	Nut M4	4	48	WS-18D. 5-3	Switch Felt Washer	1
18	KCD3-1111N	Power switch	1	49	WS-18D. 5-4	Washer seat	1
19	GB/T819. 1	Screw M4 \times 16	4	50	WS-18D. 5-5	Spring	1
20	WS-JH1270	Battery	1	51	WS-18D. 5-6	Switch Nut Washer	1
21	WS-18D-8B	Pump board	1	52	WS-18D. 5-7	Switch Nut	1
22	GB/T818	Screw M4 \times 12	2	53	WS16-13-05-02	Split Sleeve	3
23	WS-15DA. 2. 2	The lines for rechargeing	1	54	WS16-13-05-01	Case nut	1
24	WS-18D. 10	Flashing	1	55	WS16-13-05-03B	Round bar	1
25	WS-18D. 6	Belt pad	1	56	WS16-13-01-04B	Nozzle body	1
26	GB/T96. 1	Washer $\phi 6$	4	57	WS-18D. 11-2	Felt Washer	1
27	GB/T818	Screw M5 \times 10	4	58	WS16P-13-01-01	Conical Spray Plate	1
28	WS-18D. 7B	Belt	1	59	WS16-13-01-03	Spray Head Nut	1
29	WS20-12-05	Fastening buckle	4	60	WS-18D. 11	F Style Spray Head	1
30	WS16-13-08-02	Scarf joint	3	61	WS16P-13-01A	Fan Style Spray Head	1
31	WS16-13-08-01B	Case nut M18	3	62	WS1212Z-Europe-NJ-D	Charge	1
					BM222	Diaphragm pump	1