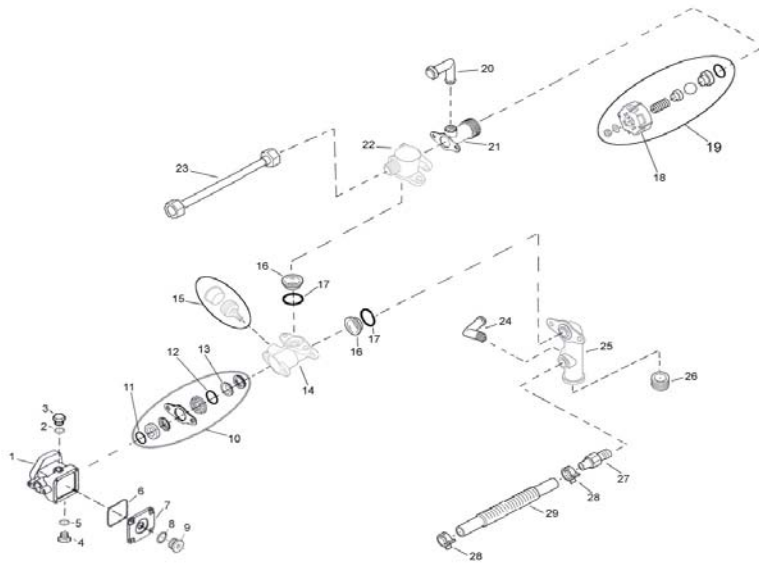
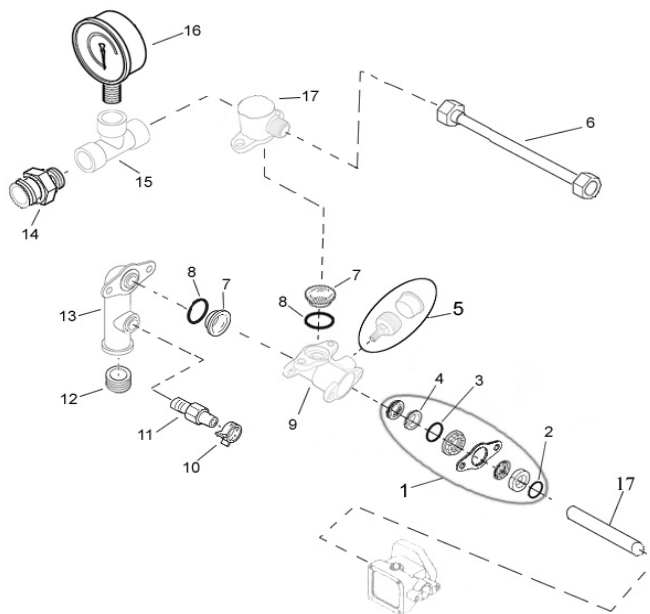


01 - PUMP



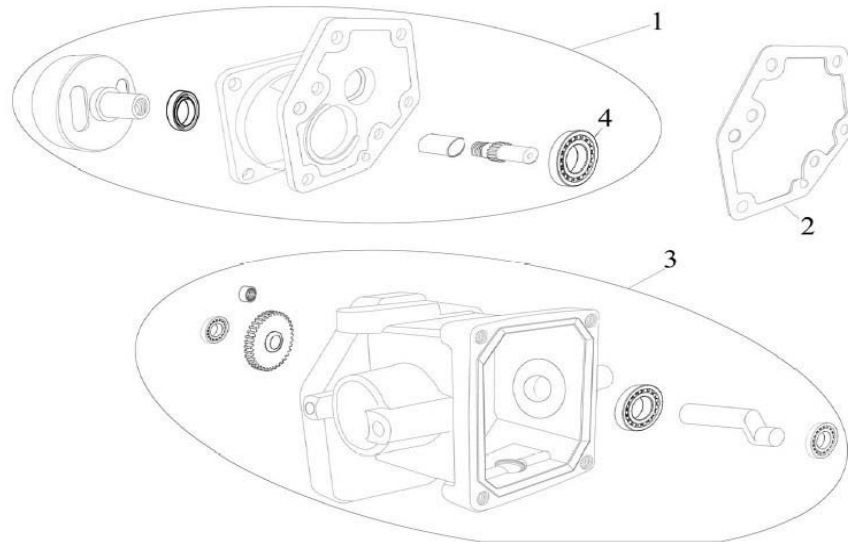
Nr.	Part Nr.	Description	中文描述	Q.T.Y
				SBT-768
1	SBT-76801001	Crank Case	曲轴箱	1
2	SBT-76801002	O-ring 16x2mm	O型密封圈16x2mm	1
3	SBT-76801003	Oil Inlet Cup	加油盖	1
4	SBT-76801004	Drain Plug	放油螺塞	1
5	SBT-76801005	O-ring 9x2mm	O型密封圈 9x2mm	1
6	SBT-76801006	O-ring 60x3,5mm	O型圈60x3,5mm	1
7	SBT-76801007	Crank Case Cover	曲轴箱盖	1
8	SBT-76801008	O-ring 25x3mm	O型密封圈25x3mm	1
9	SBT-76801009	Oil Glass	油杯	1
10	SBT-76801010	Packing Set	密封圈套组	2
11	SBT-76801011	O-ring18x28x8	O型密封圈18x28x8	2
12	SBT-76801012	O-Seal 18x28x8mm	O型封18x28x8	4
13	SBT-76801013	Packing Seat	垫片座	2
14	SBT-76801014	Cylinder	缸体	1
15	SBT-76801015	Grease Cup	黄油杯	2
16	SBT-76801016	Valve	阀	4
17	SBT-76801017	O-ring, valve	O型密封圈, 阀	2
18	SBT-76801018	Pressure Adjusting	调压器	1
19	SBT-76801019	Pressure Adjusting Kit	调压套组	1
20	SBT-76801020	Overflow pipe	回水管	1
21	SBT-76801021	Relife Valve		1
22	SBT-76801022	Outler Chamber	排水室	1
23	SBT-76801023	High Pressure Hose	高压软管	1
24	SBT-76801024	Suction pipe	进水管	1
25	SBT-76801025	Suction Chamber	进水室	1
26	SBT-76801026	Stopper	挡块	1

02 - PUMP



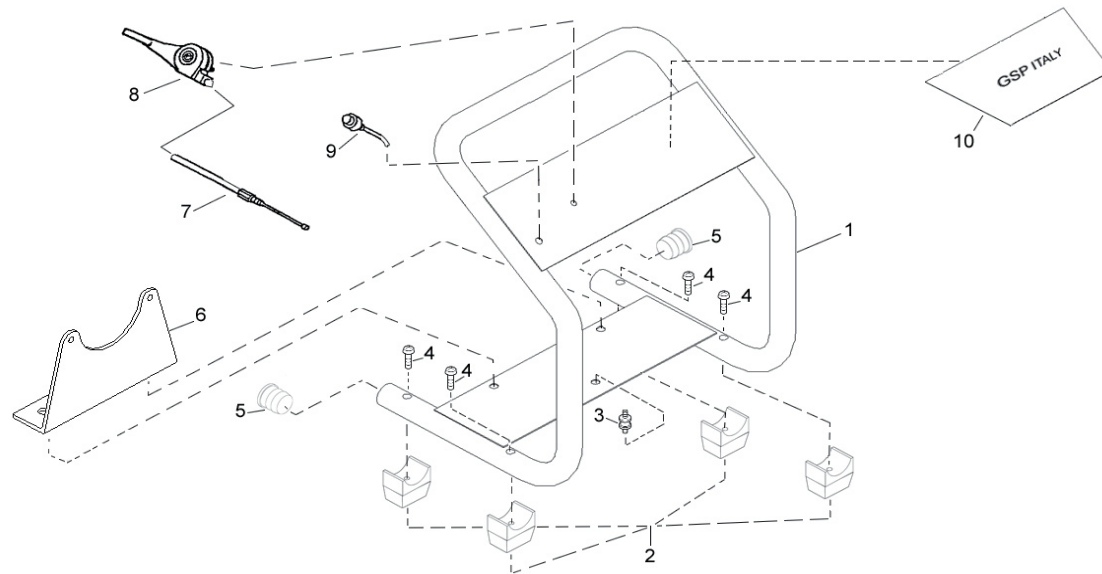
Nr.	Part Nr.	Description	中文描述	Q.T.Y
				SBT-768
1	SBT-76802001	Packing Set	密封圈套组	2
2	SBT-76802002	O-ring 18x28x8	O型密封圈 18x28x8	2
3	SBT-76802003	O-Seal 18x28x8mm	O型封 18x28x8	4
4	SBT-76802004	Packing Seat	垫片座	2
5	SBT-76802005	Grease Cup	黄油杯	2
6	SBT-76802006	High Pressure Hose	高压软管	1
7	SBT-76802007	Valve	阀	4
8	SBT-76802008	O-ring, valve	阀O型密封圈	2
9	SBT-76802009	Cylinder	缸体	1
10	SBT-76802010	Clamper	管夹	4
11	SBT-76802011	Hose connectors	管接	1
12	SBT-76802012	Stopper	挡块	1
13	SBT-76802013	Suction Chamber	吸水室	1
14	SBT-76802014	Nipples		1
15	SBT-76802015	Female Tee		1
16	SBT-76802016	Manometer	压力计	1
17	SBT-76802017	Plunger	柱塞	1

03 - CRANKCASE



Nr.	Part Nr.	Description	中文描述	Q.T.Y
				SBT-768
1	SBT-76803001	Drum Seat	被动盘	
2	SBT-76803002	Gasket, Crankcase	曲轴箱垫	1
3	SBT-76803003	Crankcase complete	曲轴箱总成	1
4	SBT-76803004	Bearing (6201 D 32-10mm)	深沟球轴承 (6201 D 32-10mm)	

04 - FRAME



Nr.	Part Nr.	Description	中文描述	Q.T.Y
				SBT-768
1	SBT-76804001	Frame	机架	1
2	SBT-76804002	Silent Block Set	减震块套组	1
3	SBT-76804003	Fuel tank Silent Block	油箱减震块	1
4	SBT-76804004	Bolt	螺栓	4