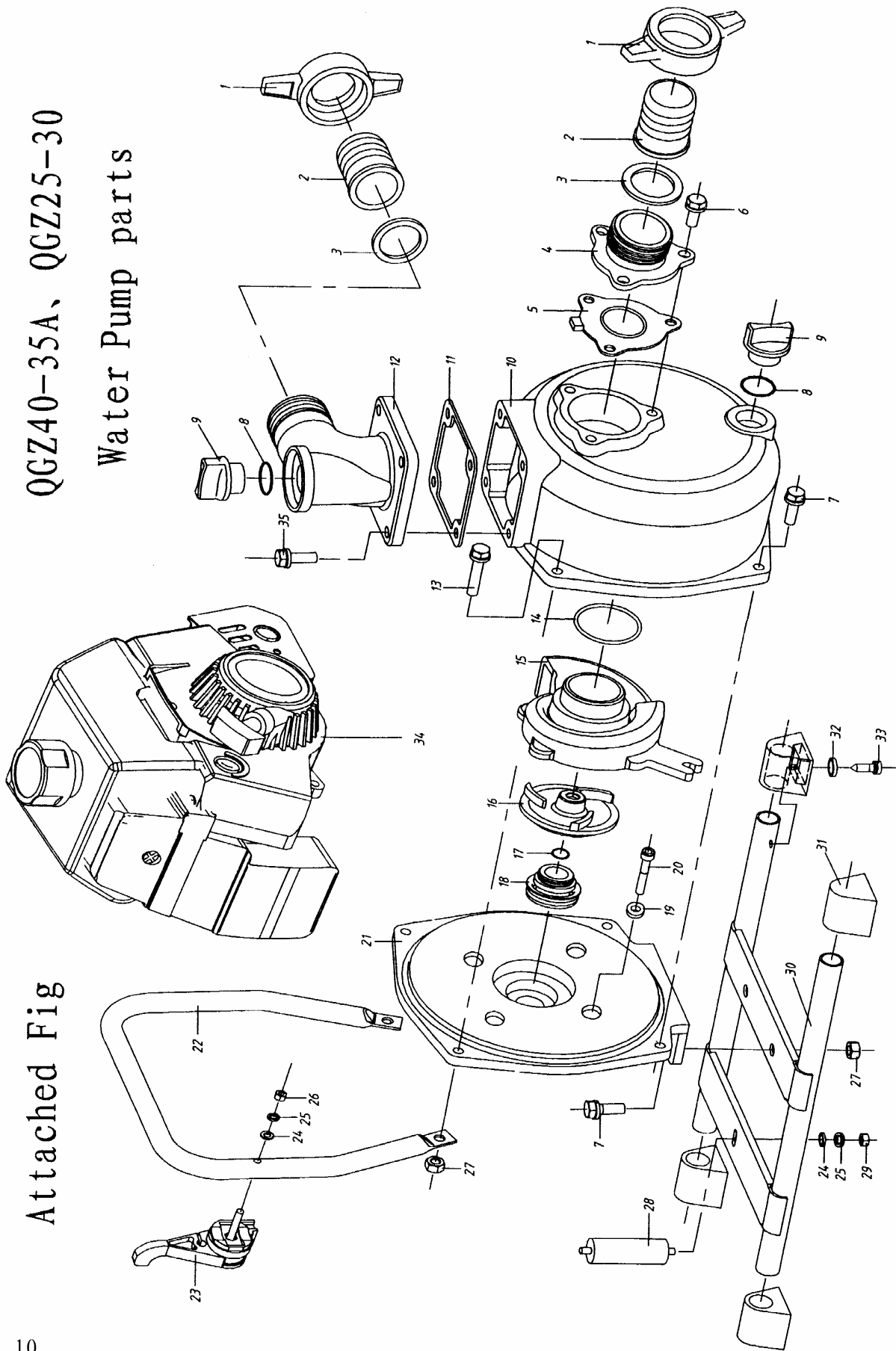


Attached Fig

QGZ40-35A、QGZ25-30

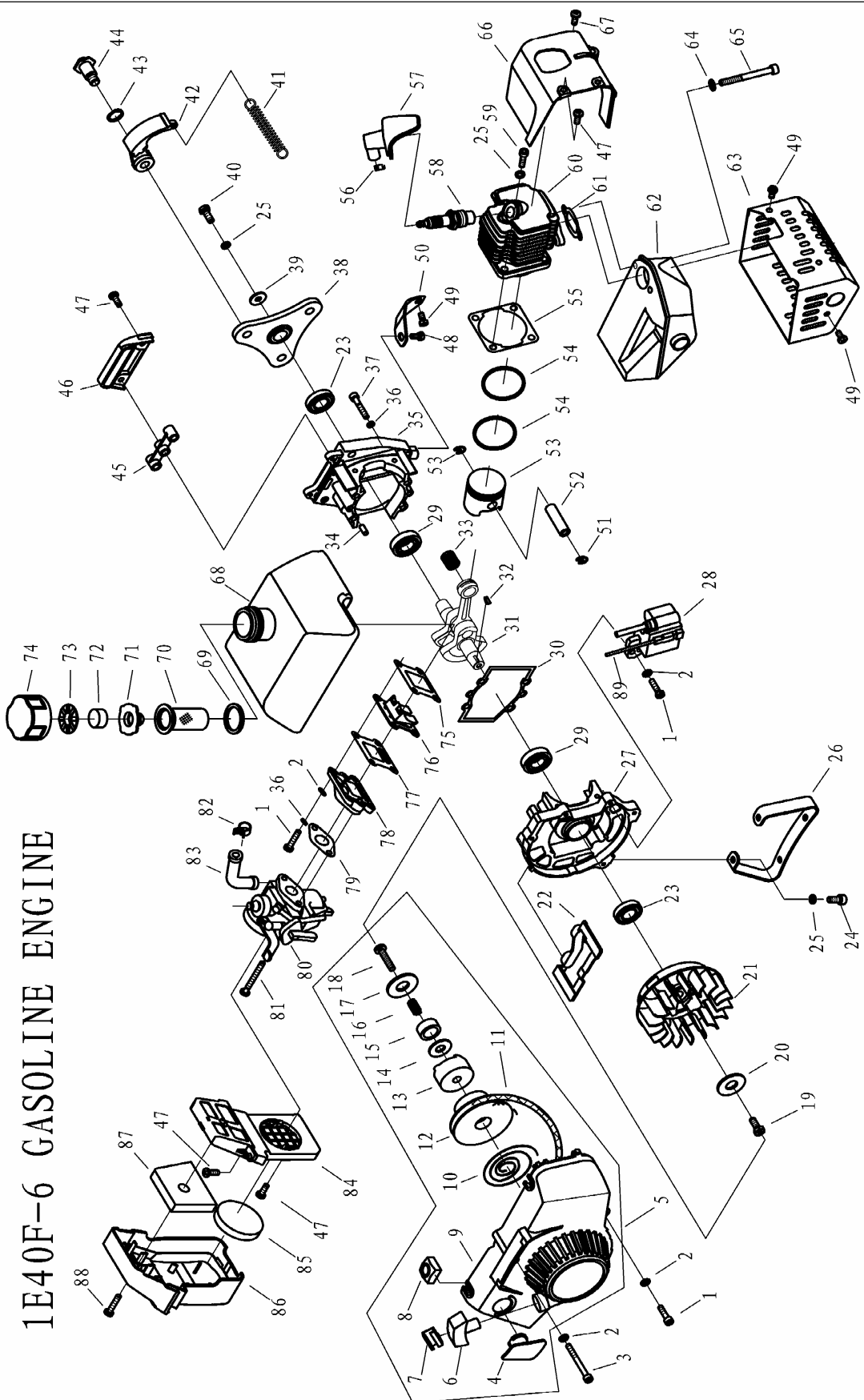
Water Pump parts



Appendix list of Pump Parts(QGZ40 – 35A)

| Ser.No | Part No. | Part Name | Qty. |
|--------|---------------|-----------------------|------|
| 1 | QGZ40-35.11-1 | HOSE JOINT | 2 |
| 2 | QGZ40-35.11-3 | HOSE COUPLING | 2 |
| 3 | QGZ40-35.11-2 | PACKING(PLUG) | 2 |
| 4 | QGZ40-35-1 | VALVE CASE | 1 |
| 5 | QGZ40-35.2 | CHECK VALVE | 1 |
| 6 | GB9074.15 | BOLT W/S.W M8×20 | 3 |
| 7 | GB9074.15 | BOLT W/S.W M8×25 | 4 |
| 8 | GB3452.1 | O-SEALING RING | 2 |
| 9 | QGZ40-35-3 | PLUG | 2 |
| 10 | QGZ40-35-2 | PUMP CASE | 1 |
| 11 | QGZ40-35-14 | PACKING | 1 |
| 12 | QGZ40-35-13 | BEND | 1 |
| 13 | GB9074.15 | BOLT W/S.W M8×35 | 2 |
| 14 | GB3452.1 | O-SEALING RING | 1 |
| 15 | QGZ40-35-4 | VOLUTE SHELL | 1 |
| 16 | QGZ40-35-6 | IMPELLER | 1 |
| 17 | GB3452.1 | O-SEALING RING | 1 |
| 18 | QGZ40-35.4 | MECHANICAL SEAL | 1 |
| 19 | QGZ40-35-8 | SEAL PACKING | 4 |
| 20 | GB70 | SCREW M6×40 | 4 |
| 21 | QGZ40-35-7 | CASING COVER | 1 |
| 22 | QGZ40-35A-2 | HANDLE | 1 |
| 23 | QGZ40-35.10 | THROTTLE LEVER | 1 |
| 24 | GB97.1 | WASHER | 2 |
| 25 | GB93 | WASHER SPRING | 2 |
| 26 | GB889 | NUT M5 | 1 |
| 27 | GB6170 | NUT M8 | 4 |
| 28 | QGZ40-35A.3 | RUBBER PILLAR | 1 |
| 29 | GB6170 | NUT M5 | 1 |
| 30 | QGZ40-35A.1 | BASE | 1 |
| 31 | QGZ40-35-5 | UNTI VIBRATION RUBBER | 4 |
| 32 | GB96 | WASHER | 4 |
| 33 | GB845 | SCREW ST4.2×13 | 4 |
| 34 | QGZ40-35A.2 | ENGINE | 1 |
| 35 | GB9074.15 | BOLT W/S.W M8×25 | 4 |

1E40F-6 GASOLINE ENGINE



1E40F-6 GASOLINE ENGINE

| SER. NO. | PART NO. | PART NAME | QTY. | SER. NO. | PART NO. | PART NAME | QTY. | SER. NO. | PART NO. | PART NAME | QTY. | SER. NO. | PART NO. | PART NAME | QTY. |
|----------|----------------|---------------------|------|----------|---------------|----------------------|------|----------|----------------|---------------------|------|----------|--------------|---------------------|------|
| 1 | GB/T70.1 | SCREW M5 × 20 | 8 | 24 | GB/T70.1 | SCREW M6 × 14 | 2 | 47 | GB9074.4 | SCREW M5 × 14 | 6 | 70 | BG305.10.1 | FILTER NET | 1 |
| 2 | GB97.1 | WASHER 5 | 9 | 25 | GB/T 93 | WASHER 6 | 6 | 48 | GB9074.13 | BOLT M6 × 12 | 1 | 71 | BG305.10.2-2 | INNER LID | 1 |
| 3 | GB/T70.1 | SCREW M5 × 50 | 1 | 26 | 1E40F-6-5 | SUPPORT | 1 | 49 | GB9074.13 | BOLT M5 × 10 | 3 | 72 | BG-328.7-4 | CLEANER ELEMENT | 1 |
| 4 | 1E40F-6.6-1 | CORD GROMMET | 1 | 27 | 1E40F-6.4.1-1 | REAR HALF CRANKCASE | 1 | 50 | 1E40F-6-11 | SUPPORT | 1 | 73 | BG305.10.2-3 | INNER LID | 1 |
| 5 | 1E40F-6.6.1 | STARTER | 1 | 28 | | STATOR | 1 | 51 | 1E40F-03.02.01 | PISTON RING CIRCLIP | 2 | 74 | BG305.10.2-1 | FUEL TANK CAP | 1 |
| 6 | 1E40FP-3Z.4-2 | STARTER HANDLE | 1 | 29 | GB/T276 | BALL BEARING 6202/PA | 2 | 52 | 1E46FP.6-3 | PISTON PIN | 1 | 75 | 1E40F-6.4-1 | INNER WASHER | 1 |
| 7 | 1E40FP-3Z.4-10 | PIPE | 1 | 30 | 1E40F-6.4.1-2 | TANK CAP GASKET | 1 | 53 | 1E40F-6.3-1 | PISTON | 1 | 76 | 1E40F-6.4.3 | AIR INLET VALVE | 1 |
| 8 | GB39 | NUT M5 | 1 | 31 | 1E40F-6.3.1 | CRANK SHAFT COMP. | 1 | 54 | 1E40FP-3Z.3-5 | PISTON RING | 2 | 77 | 1E40F-6.4-2 | OUTER WASHER | 1 |
| 9 | 1E40F-6.6.1.1 | STARTER COVER ASS'Y | 1 | 32 | 1E40F-3Z.3-1 | KEY | 1 | 55 | 1E40F-6-2 | CYLINDER WASHER | 1 | 78 | 1E40F-6.4.2 | INLET MANIFOLD | 1 |
| 10 | 1E40FP-3Z.4-7 | RECOIL SPRING | 1 | 33 | 1E46FP.6-2 | NEEDLE BEARING | 1 | 56 | | CLICK SPRING | 1 | 79 | 1E40F-6-8 | SEALING WASHER | 1 |
| 11 | 1E40F-6.6.1-1 | ROPE | 1 | 34 | GB119 | PIN B5 × 12 | 2 | 57 | | PLUG CAP | 1 | 80 | 1E40F-6.10 | CARBURETOR ASS'Y | 1 |
| 12 | 1E40F-6.6.1-2 | STARTER ROPE REEL | 1 | 35 | 1E40F-6.4.1-3 | FRONT HALF CRANKCASE | 1 | 58 | L7T (LD) | PLUG | 1 | 81 | GB9074.4 | SCREW M5 × 58 | 2 |
| 13 | 1E40F-6.6.1-7 | STARTER REEL | 1 | 36 | GB93 | WASHER 5 | 8 | 59 | GB/70.1 | SCREW M6 × 20 | 4 | 82 | 3WF-3.19-1 | CLICK RING | 1 |
| 14 | 1E40F-6.6.1-5 | WASHER | 1 | 37 | GB/T70.1 | SCREW M5 × 30 | 4 | 60 | 1E40F-6-3 | CYLINDER | 1 | 83 | 1E40F-6-7 | FUEL PIPE | 1 |
| 15 | 1E40F-6.6.1-6 | ROPE GUIDE | 1 | 38 | 1E40F-6.11-2 | CHASSIS | 1 | 61 | 1E40F-6-9 | SEALING WASHER | 1 | 84 | 1E40F-6.8.1 | CLEANER SHROUD | 1 |
| 16 | 1E40F-6.6.1-3 | PRESS SPRING | 1 | 39 | GB96 | WASHER 6 | 1 | 62 | 1E40F-6.12 | MUFFLER COMP | 1 | 85 | 1E40F-6.8-2 | CLEANER ELEMENT (-) | 1 |
| 17 | 1E40F-6.6.1-4 | WASHER | 1 | 40 | 1E40F-6-4 | BOLT | 1 | 63 | 1E40F-6-10 | MUFFLER COVER | 1 | 86 | 1E40F-6.8-1 | CLEANER SHROUD | 1 |
| 18 | GB67 | SCREW M5 × 12 | 1 | 41 | 1E40F-6.11-1 | CLUTCH SPRING | 3 | 64 | GB97.1 | WASHER 6 | 2 | 87 | 1E40F-6.8-3 | CLEANER ELEMENT (-) | 1 |
| 19 | GB9074.15 | SCREW M6 × 16-10.9 | 1 | 42 | 1E40F-6.11.1 | CLUTCH SHOE | 3 | 65 | GB/T70.1 | SCREW M6 × 60-12.9 | 2 | 88 | GB9074.4 | SCREW M5 × 25 | 1 |
| 20 | 1E40F-6-1 | WASHER | 1 | 43 | 1E34F-13 | WASHER | 3 | 66 | 1E40F-6.2 | CYLINDER SHROUD | 1 | 89 | | STOP WIRE | 1 |
| 21 | | ROTOR | 1 | 44 | 1E40F-6.11-3 | CLUTCH STEP SCREW | 3 | 67 | GB9074.4 | SCREW M5 × 20 | 1 | | | | |
| 22 | 1E40F-6-6 | RUBBER WASHER | 1 | 45 | 1E40F-6.7-1 | RUBBER WASHER | 1 | 68 | 1E40F-6.5-1 | FUEL TANK | 1 | | | | |
| 23 | 1E40FP-3Z-11 | OIL SEAL | 2 | 46 | 1E40F-6.7.1 | SUPPORT | 1 | 69 | BG305.10-2 | SEALING WASHER | 1 | | | | |