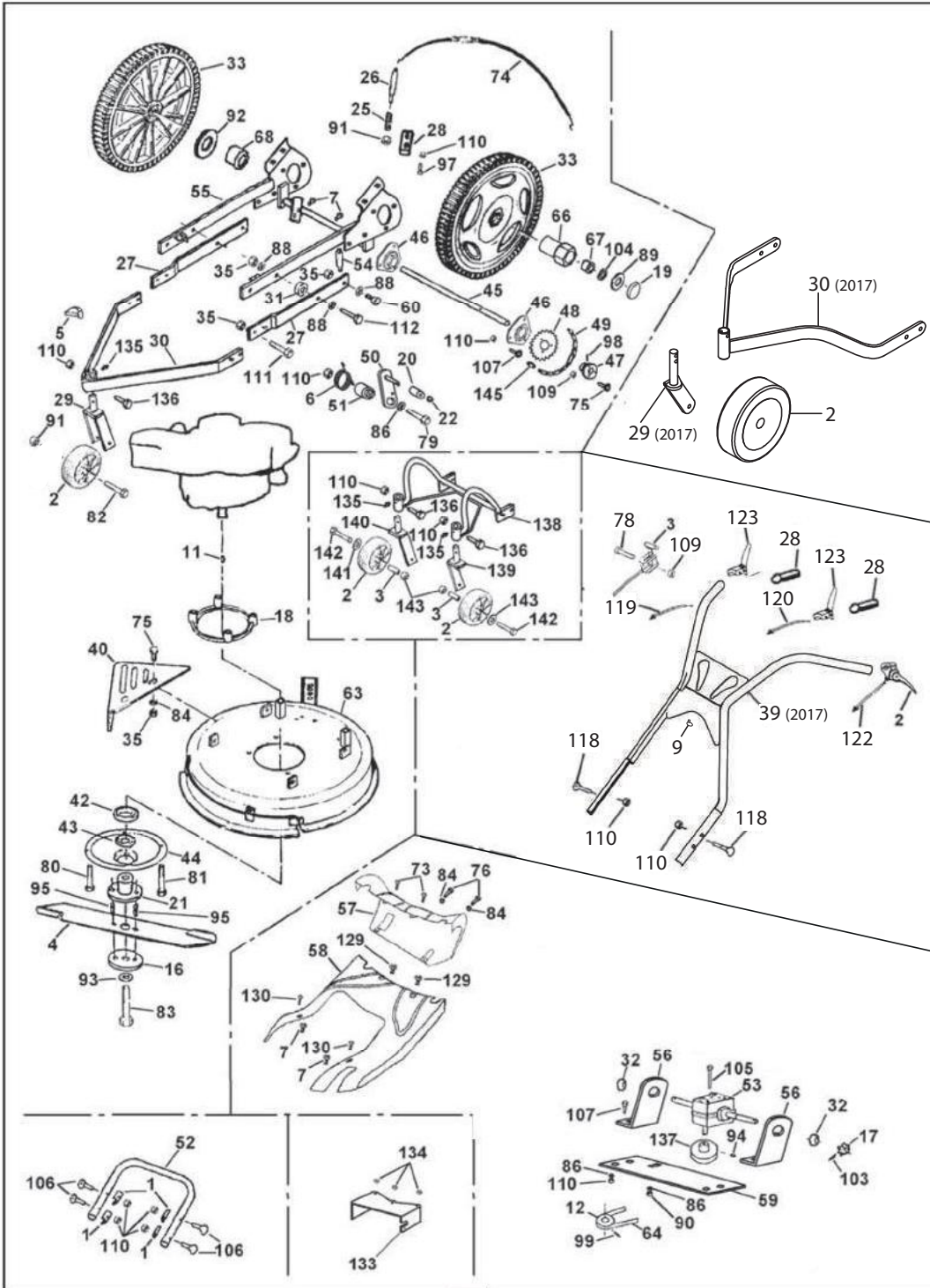


D503 - D514 - D554



D500 - D503 - D514 - D554

Rep	Référence	Désignation	Partname	Bezeichnung	Descrizione	Designacion	Designação	Onderdeel	B&S	Honda
1	19943	Rondelle	Washer	Scheibe	Rondella	Arandela	Anilha	Ring	4	4
2	30601	Roue	Wheel	Rad	Ruota	Rueda	Roda	Wiel	1	1
4	38093	Câble accélérateur	Throttle control	Gashebelgestange	Commando	Varillaje	Commando	Koppelingsstang	1	1
4	31461	Lame 51 cm	Blade 51 cm	Klingenmesser 51 cm	Lama 51 cm	Cuchilla 51 cm	Lamina 51 cm	Mes 51 cm	1	1
5	72992	Lame 53 cm	Blade 53 cm	Klingenmesser 53 cm	Lama 53 cm	Cuchilla 53 cm	Lamina 53 cm	Mes 53 cm	1	1
5	31493	Goupille	Pin	Spint	Spina	Pasador	Pino	Pin	1	1
6	75334	Bessort	Spring	Feder	Molla	Muelle	Mola	Veer	1	1
7	33766	Ecrou à sertir	Nut	Mutter	Dado	Tuerca	Porca	Moer	4	4
9	43159	Arrêtde corde	Guide	Führung	Guida	Guía	Guia	Onderstel	1	1
10	46006	Vis	Screw	Schraube	Vite	Tornillo	Parafuso	Schroef	2	2
11	46049	Clavette	Key	Treibecke	Chiavetta	Clavija	Clavija	Pin	1	1
12	46086	Poulie motrice	Pulley	Treibecke	Puleggia	Polea	Polia	Riem	1	1
16	71097	Rondelle	Washer	Scheibe	Rondella	Arandela	Anilha	Ring	1	1
17	75540	Pignon	Pinion	Ritzal	Ingranaggio	Pinhão	Pinhao	Rondsel	1	1
18	71132	Entretouise	Spacer	Distanzstück	Distanziale	Separadore	Separador	afstandsstuk	2	2
19	71134	Enjolveur	Clip	Seeger	Seeger	Calotte	Calotte	Wielstap	2	2
20	75573	Galet	Roller	Laverde	Ruotina	Poleatensora	Rolode came	Rol	1	1
21	71149	Moyeu D,22.2 mm - Ht 64	Hub	Nabe	Moza	Eje	Cubade lamina	Mesnaaf	1	1
21	75378	Moyeu D,22.2 mm - Ht 73	Hub	Nabe	Moza	Eje	Cubade lamina	Mesnaaf	1	1
22	75322	Moyeu D,22.2 mm - Ht 73	Hub	Nabe	Moza	Eje	Cubade lamina	Mesnaaf	1	1
22	71378	Rondelle	Washer	Scheibe	Rondella	Arandela	Anilha	Ring	1	1
23	71396	Bouton	Nut	Mutter	Dado	Tuerca	Botao de aperto	Knop	2	2
25	75565	Ressort	Spring	Feder	Molla	Muelle	Mola	Veer	1	1
26	75564	Doigt d'indexage	Axle	Achse	Motolino di divisione	Claviza indicadora	Cavilha de mobilização	Indexvinger	1	1
27	72530/0503/D554	Barrede chassis	Crossbar	Chassisstang	Barra di telaio	Barra de chassis	Barra de chassis	Framebalk	2	2
27	75584/D514	Barrede chassis	Crossbar	Chassisstang	Barra di telaio	Barra de chassis	Barra de chassis	Framebalk	2	2
28	75562	Chappe d'indexage	Main frame yoke	Abdeckung spom	Supporte	Supporte	Juntade forquilha	Juk	1	1
29	72544	Fourche	Fork	Radgäbe	Supporto	Soporte	Forquilha	Vork	1	1
29	P755830 (2017)	Fourche	Fork	Radgäbe	Supporto	Soporte	Forquilha	Vork	1	1
30	72541	Berceau	Support	Träger	Supporto	Soporte	Armação	Onderstel	1	1
30	P755800 (2017)	Berceau	Support	Träger	Supporto	Soporte	Armação	Onderstel	1	1
31	72547	Entretouise	Spacer	Distanzstück	Distanziale	Separadore	Separador	afstandsstuk	2	2
32	75538	Paler	Bearing	Kugellager	Cuscinetto	Rodamiento	Rodamento	Kopelager	2	2
33	72995	Roue	Wheel	Rad	Ruota	Rueda	Roda	Wiel	1	1
34	73271	Ecrou	Nut	Mutter	Dado	Tuerca	Porca	Moer	2	2
35	73276	Ecrou	Nut	Mutter	Dado	Tuerca	Porca	Moer	9	9
39	P755900 (2017)	Guidon	Handelbar	Manic	Manico	Manillar	Handgriep	Sabica	1	1
40	73594	Deflector	Ablenkblech	Ablenkblech	Defletore	Defletore	Defletore	Deflector	1	1
40	21510	Andaineur iôle	Deflector	Ablenkblech	Defletore	Defletore	Defletore	Deflector	1	1
42	03.06207.2	Roulement	Bearing	Kugellager	Cuscinetto	Rodamiento	Rodamento	Kopelager	1	1
43	16623	Joint	Seal	Wellendichtung	Anello	Junta	Junta	Dichtung	1	1
44	71133	Carter 3ème palier	Casing	Carter	Carter	Carter	Carter	Carter	1	1
45	75550	Arbre	Axle	Achse	Astina	Arbal	Eixo	Lias	1	1
46	75243	Paler	Bearing	Kugellager	Cuscinetto	Rodamiento	Rodamento	Kopelager	2	2
47	75246	Moyeu	Hub	Nabe	Moza	Eje	Cuba	Mesnaaf	1	1
48	75403	Disco	Disc	Disque	Disco	Disco	Disco	Disque	1	1
49	75512	Chaine D503-D514	Chain	Kette	Catena	Cadena	Corrente	Ketting	1	1
49	75542	Chaine D554	Chain	Kette	Catena	Cadena	Corrente	Ketting	1	1
50	75534	Arm	Vorrichtung	Manic	Manico	Manillar	Supporte de solo	Supporte de solo	1	1
51	75251	Douille	Spacer	Distanzstück	Distanziale	Separadore	Separador	afstandsstuk	1	1
52	75253	Guidon inférieur	Handelbar	Manic	Manico	Manillar	Guiador	Stuurstang	1	1
54	75555	Boitde transmission	Gearbox	Getriebe	Riduttore	Mullar	Reduttore	Reductor	2	2
54	75252	Ressort	Spring	Feder	Molla	Muelle	Mola	Veer	2	2
55	75568	Chassis	Chassis	Chassis	Telaio	Chasis	Chassis	Chassis	1	1
56	75577	Support	Träger	Support	Supporto	Soporte	Huevel	Stem	1	1
57	75575	Capot arrière	Cover	Haube	Coperchio	Capo	Cobertura	Kap	1	1
58	75262	Capot courroie	Cover	Haube	Coperchio	Capo	Cobertura	Kap	1	1
60	202.10.30	Flaque	Support	Träger	Supporto	Soporte	Huevel	Stem	1	1
60	202.10.30	Vis	Screw	Schraube	Vite	Tornillo	Parafuso	Schroef	4	4
63	75569	Coque 51 cm	Carter	Carter	Scocca	Carter	Carter	Carter	1	1
64	75281	Gouroe	Belt	Riemen	Cinghia	Correa	Correa	Riem	1	1
66	75293	Moyeu	Hub	Nabe	Moza	Eje	Hub	Mesnaaf	2	2
67	75294	Rouelibre	Wheel	Rad	Ruota	Rueda	Roda	Wiel	4	4
68	75295	Entretouise	Spacer	Distanzstück	Distanziale	Separadore	Separador	afstandsstuk	2	2
73	Z26.6.20	Vis	Screw	Schraube	Vite	Tornillo	Parafuso	Schroef	2	2
74	75304	Timonerie d'indexage (D)	Control cable	Gestange	Commando	Varillaje	Commando	Koppelingsstang	1	1
75	Z03.6.16	Vis	Screw	Schraube	Vite	Tornillo	Parafuso	Schroef	5	5
76	Z03.6.30	Vis	Screw	Schraube	Vite	Tornillo	Parafuso	Schroef	2	2
77	Z03.6.35	Vis	Screw	Schraube	Vite	Tornillo	Parafuso	Schroef	2	2
78	Z03.6.45	Vis	Screw	Schraube	Vite	Tornillo	Parafuso	Schroef	2	2
79	Z03.8.40	Vis	Screw	Schraube	Vite	Tornillo	Parafuso	Schroef	1	1
80	Z03.8.80	Vis	Screw	Schraube	Vite	Tornillo	Parafuso	Schroef	2	3
81	Z03.8.110	Vis	Screw	Schraube	Vite	Tornillo	Parafuso	Schroef	1	1
82	Z03.10.85	Vis	Screw	Schraube	Vite	Tornillo	Parafuso	Schroef	1	1
83	003.952163	Vis	Screw	Schraube	Vite	Tornillo	Parafuso	Schroef	1	1
84	Z08.L6U	Rondelle	Washer	Scheibe	Rondella	Arandela	Anilha	Ring	6	6
86	Z08.L8N	Rondelle	Washer	Scheibe	Rondella	Arandela	Anilha	Ring	8	8
87	Z26.6.35	Vis	Screw	Schraube	Vite	Tornillo	Parafuso	Schroef	1	1
88	Z08.M10U	Rondelle	Washer	Scheibe	Rondella	Arandela	Anilha	Ring	4	4
89	Z08.2.00U	Rondelle	Washer	Scheibe	Rondella	Arandela	Anilha	Ring	2	2
90	Z11.6	Ecrou	Nut	Mutter	Dado	Tuerca	Porca	Moer	1	1
91	Z53.10	Ecrou	Nut	Mutter	Dado	Tuerca	Porca	Moer	1	1
92	Z08L.20N	Rondelle	Washer	Scheibe	Rondella	Arandela	Anilha	Ring	2	2
93	Z12.10AZ	Rondelle	Washer	Scheibe	Rondella	Arandela	Anilha	Ring	1	1
94	013.5.40	Goupille	pin	spint	Spina	Pasador	pino	Pin	1	1
95	013.6.20	Goupille	pin	spint	Spina	Pasador	pino	Pin	2	2
97	Z26.8.25	Vis	Screw	Schraube	Vite	Tornillo	Parafuso	Schroef	2	2
98	013.6.30	Goupille	pin	spint	Spina	Pasador	pino	Pin	1	1
99	024.8.15	Vis	Screw	Schraube	Vite	Tornillo	Parafuso	Schroef	1	1
103	033.1.3.22	Goupille	pin	spint	Spina	Pasador	pino	Pin	1	1
104	034.202804	Joint	Seal	Wellendichtung	Anello	Junta	Junta	Dichtung	4	4
105	Z42.6.110	Vis	Screw	Schraube	Vite	Tornillo	Parafuso	Schroef	1	1
106	Z42.8.40CC	Vis	Screw	Schraube	Vite	Tornillo	Parafuso	Schroef	4	4
107	Z42.8.20CC	Vis	Screw	Schraube	Vite	Tornillo	Parafuso	Schroef	10	10
108	Z42.6.40	Vis	Screw	Schraube	Vite	Tornillo	Parafuso	Schroef	1	1
109	Z53.6	Ecrou	Nut	Mutter	Dado	Tuerca	Porca	Moer	7	7
110	Z53.8	Ecrou	Nut	Mutter	Dado	Tuerca	Porca	Moer	19	19
111	Z63.10.30	Vis	Screw	Schraube	Vite	Tornillo	Parafuso	Schroef	2	2
112	Z63.10.35	Vis	Screw	Schraube	Vite	Tornillo	Parafuso	Schroef	2	2
113	30933	Poignée	Lever	Hebel	Leva	Palanca	Alavanca	Koppelingsgreep	1	1
118	Q51TRC0850	Vis	Screw	Schraube	Vite	Tornillo	Parafuso	Schroef	1	1
119	73386	Timonerie d'indexage (DP)	Control cable	Gestange	Commando	Varillaje	Commando	Koppelingsstang	1	1
120	73585	Timonerie FM (DP)	Clutch control	Gestange	Commando	Varillaje	Commando	Koppelingsstang	1	1
122	75279	Timonerie d'embrayage (DP)	Clutch control	Gestange	Commando	Varillaje	Commando	Koppelingsstang	1	1
123	75282	Lever FM/indexage	Lever	Hebel	Leva	Palanca	Alavanca	Koppelingsgreep	2	2
126	Z26.6.45	Vis	Screw	Schraube	Vite	Tornillo	Parafuso	Schroef	1	1
128	16706	Poignée	Lever	Hebel	Leva	Palanca	Alavanca	Koppelingsgreep	2	2
129	Z53.11	Ecrou à sertir	Nut	Mutter	Dado	Tuerca	Porca	Moer	2	2
130	Z26.6.20	Vis	Screw	Schraube	Vite	Tornillo	Parafuso	Schroef	2	2
133	75539	Tôle de protection	Cover	Haube	Coperchio	Capo	Cobuerta	Kap	1	1
134	Z11.4	Ecrou	Nut	Mutter	Dado	Tuerca	Porca	Moer	3	3
135	056.6-100	Graisneur	Grease point	Schmierstelle	Vite	Puntode engrase	Puntode engrase	Schmierpunkt	3	3
136	Z26-8-30	Vis	Screw	Schraube	Vite	Tornillo	Parafuso	Schroef	3	3
137	71091	Poulie	Pulley	Treibecke	Puleggia	Polea	Polia	Riem	1	1
138	75416	Berceau	Support	Träger	Supporto	Soporte	Armação	Onderstel	1	1
139	75417	Fourche D	Fork	Radgäbe	Supporto	Soporte	Forquilha	Vork	1	1
140	75425	Fourche G	Fork	Radgäbe	Supporto	Soporte	Forquilha	Vork	1	1
141	Z08-L12N	Rondelle	Washer	Scheibe	Rondella	Arandela	Anilha	Ring	2	1
142	Z03-12-90	Vis	Screw	Schraube	Vite	Tornillo	Parafuso	Schroef	2	2
143	Z53-12	Ecrou	Nut	Mutter	Dado	Tuerca	Porca	Moer	2	2
145	75407	Attache rapide	Quicklink	schnelle Verbindung	Linkrapido	Enlace rapido	Ligaçãorapida	Snelkoppeling	1	1