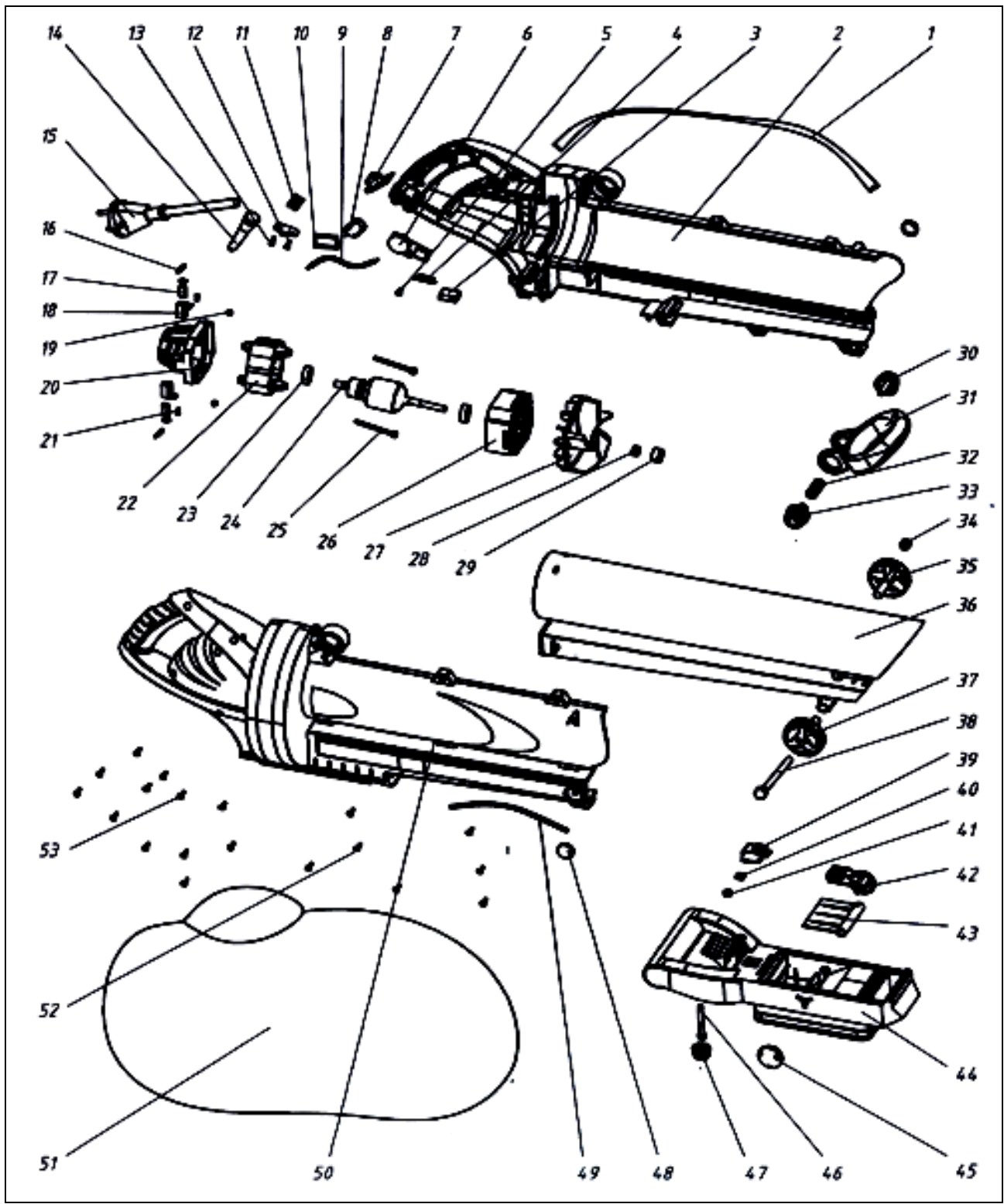


BVLD02B (2100W)



NO.	PARTS NAME	QTY	NO.	PARTS NAME	QTY
1	shoulder harness	1	31	Handle	1
2	Left Casing	1	32	Spring	1
3	Capacitor	1	33	Right Kbob	1
4	Adorn-Button	1	34	Nut M6	1
5	Scraw ST3×8	2	35	Left Wheel	1
6	Speed Switch	1	36	Suction Tube	1
7	Push-Button	1	37	Right Wheel	1
8	Switch	1	38	Bolt M6×80	1
9	Internal Wiring	3	39	Switch	1
10	Inductor	2	40	Square Nut M6	1
11	Terminal Block	1	41	Nut M6	1
12	Wire-Keeper	1	42	Selector Lever	1
13	Screw ST4×14	2	43	Valve	1
14	Cable Sleeve	1	44	Discharge Gate	1
15	Power Cord & Plug	1	45	Adorn-Cover	1
16	Bit	2	46	Bolt M6×55	1
17	Carbon Brush	2	47	Lock Knob	1
18	Brush Holder	2	48	Adorn-Cover	2
19	Nut M5	2	49	Band	1
20	Motor End	1	50	Right Casing	1
21	Scraw ST3×8	2	51	Debris Collection Bag	1
22	Stator	1	52	One-Way Screw ST4×12	2
23	Bearing 629	2	53	Screw ST4×16	20
24	Armature	1		Screw ST3×20	2
25	Screw M5×50	2		Screw ST3×25	2
26	Motor Head	1		Clamp	1
27	Suction Fan	1		Heat Shrinkable Tube	
28	Nut M8	1			
29	Dust-Proof Cover	1			
30	Left Kbob	1			