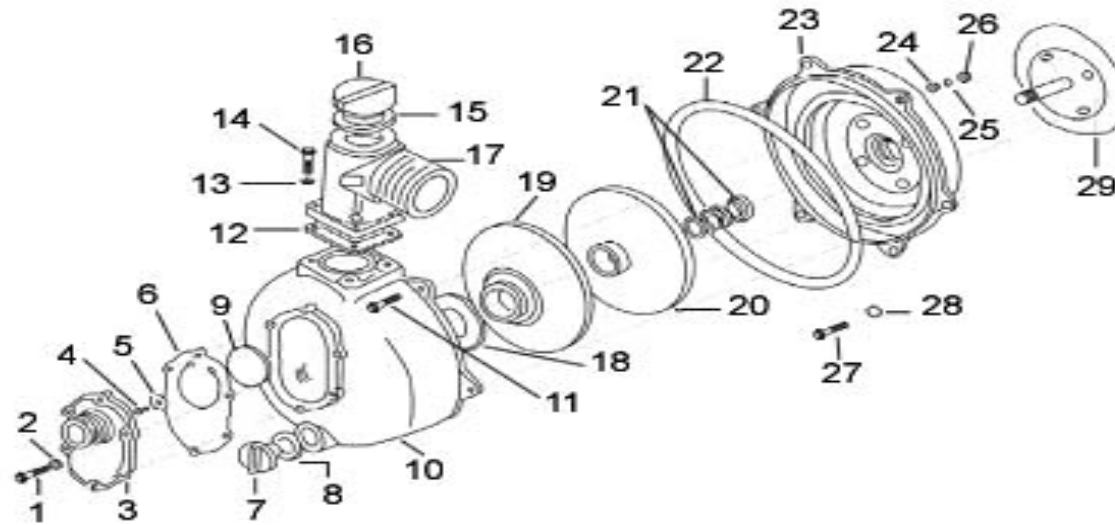


14. High Pressure Pump, 2"



Nr.	SC Part Nr.	Description	中文描述	Quantity
				SCWP-20GH
1	BF-M8x25	Bolt Flange M8x25mm	螺栓, M8x25mm	6
2	0W-M8	Washer M8	螺母, M8	6
3	SCPH020SK012	Inlet pipe	进水接头	1
4	0S-M6x16	Screw (M6x16mm)	螺钉	1
5	0W-M6	Washer M6	盖板	1
6	SCPH020SK016	Check valve	阀门	1
7	SCPH020SK018	Plug	螺塞	1
8	SCPH020SK021	O-ring ø32mm	O形密封圈	1
9	SCPH020SK120	Return valve	阀门重锤	1
10	SCPH020SK010	Front cover	泵壳	1
11	BF-M10x40	Bolt Flange M10x40mm	螺栓, M10x40mm	6
12	SCPS020SK017	Seal Output 2"	密封垫	1
13	0W-M8	Washer M8	铜垫圈	4
14	BF-M8x25	Bolt Flange M8x25mm	螺栓, M8x25mm	4
15	SCPH020SK021	O-ring ø32mm	O形密封圈 Φ32	1
16	SCPH020SK018	Plug	螺塞	1
17	SCPH020SK013	Outlet pipe 2"	出水接头	1
18	SCPH020SK022	Rubber washer	橡胶垫圈	1

19	SCPH020SK015	Volute casing	蜗壳（泵体）	1
20	SCPH020SK014	Impeller	叶轮	1
21	SCPH020SK019	Mechanical seal	机械密封圈	1
22	SCPH020SK020	O-ring	密封圈	1
23	SCPH020SK011	Rear housing	盖	1
24	0W-M10	Washer M10	弹垫圈	6
25	SW-M10	Spring Washer M10	弹簧垫圈	6
26	0N-M10	Nut M10	平垫圈	6
27	-	Hex bolt 5/16 – 24 x40	六角螺栓	4
28	SCPH020SK111	O-ring ø 8	O型密封圈	4