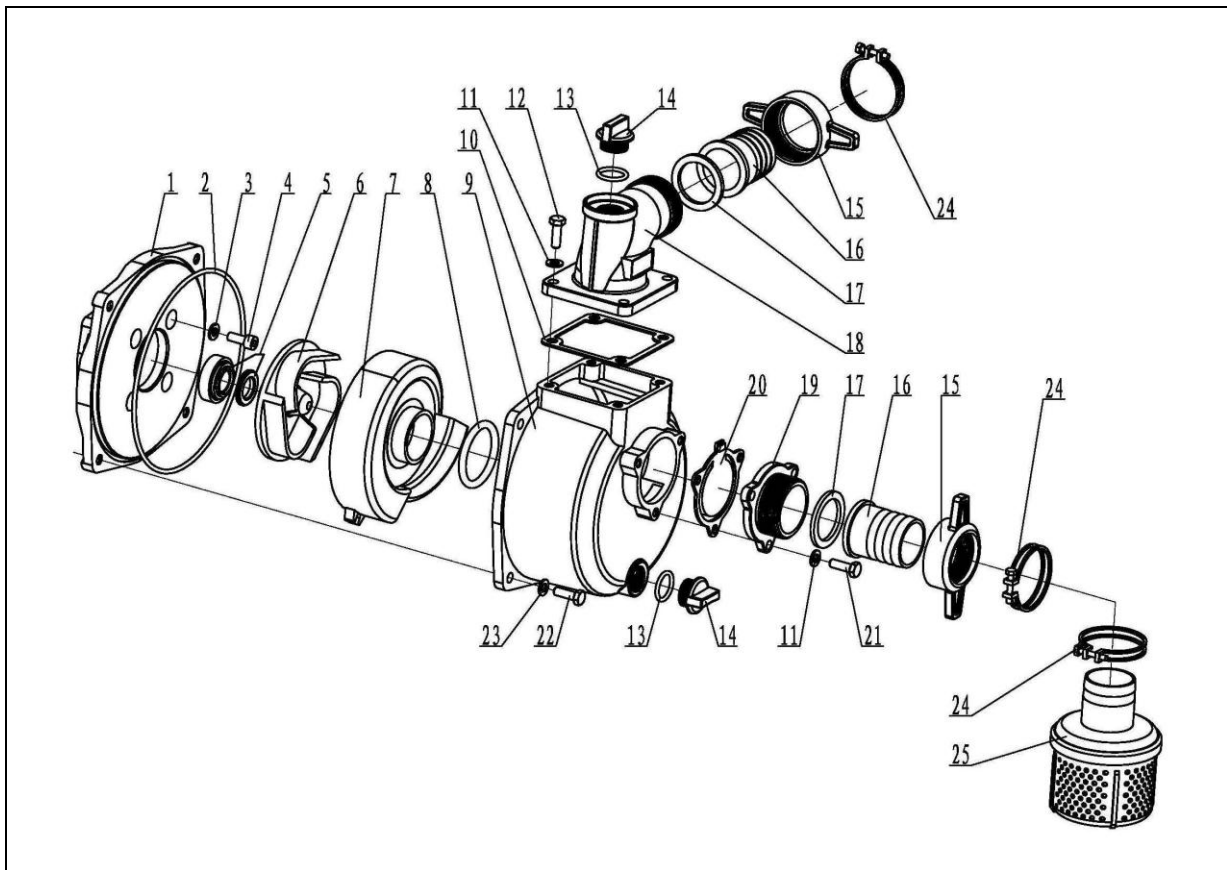


WP20A Pumps Sketch map



NO .	Name	Material	Quantity	NO.	Name	Material	Quantity
1	Pump cover	ZL102	1	13	O ring 23.6x3.55	NBR	2
2	O ring 196x4	NBR	1	14	Whorl Plug	ABS	2
3	Sealed washer	PA	4	15	Spanner	ABS	2
4	Hexangular bolt M8x55*	Q235	4	16	Pipe	ABS	2
5	Mechanical seal		1	17	sealed washer	NBR	2
6	Impeller	HT150	1	18	Outlet flange	ZL102	1
7	Diffuser	ZL102	1	19	Inlet flange	ZL102	1
8	O ring 53x7	NBR	1	20	Check valve	NBR	1
9	Pump body	ZL102	1	21	Hexangular bolt M8x20	Q235	3-4
10	Outlet's sealed washer	NBR	1	22	Hexangular bolt M8x25	Q235	4
11	Washer	Q235	7-8	23	Washer	Q235	4
12	Hexangular bolt M8x25	Q235	4	24	clamp		3
				25	Strainer		1